

PRODUCT DATA

Piezoelectric Accelerometer Monitoring DeltaTron[®] Accelerometer — Types 8341

USES

- In-flight measurements
- Industrial applications

FEATURES

- Insulated case
- Hermetically sealed
- High resolution
- Low-impedance output

Description

Type 8341 is a piezoelectric Shear design accelerometer with integral electronics initially developed for in-flight active vibration control on rotor and fixed wing aircraft. The transducer features case inulation and is hermetically sealed to enclosure protection IP 67. The housing material is stainless steel.

Type 8341 has a top connector and is mounted on the object by means of a 1/4"-28 UNF threaded stud.

Characteristics

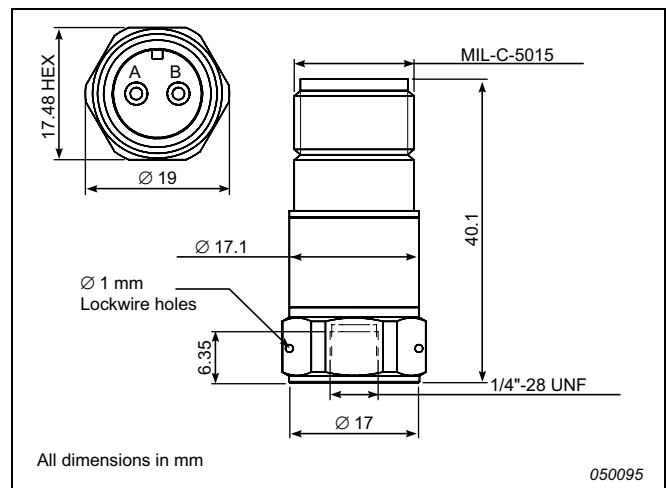
The piezoelectric accelerometer features a built-in preamplifiers. The sensitivity is expressed in terms of voltage per unit acceleration (mV/g).

The Shear design gives a high degree of linearity, and excellent immunity to base bending and temperature fluctuations. The signal is collected and amplified in the built-in amplifier.



Calibration

The sensitivity given on the calibration chart has been measured at 159.2 Hz with a 95% confidence level, using a coverage factor $k = 2$.



Specifications – Monitoring DeltaTron Accelerometer Type 8341

	Units	8341
Dynamic Characteristics		
Voltage Sensitivity (@ 160Hz)	mV/g	100 ±10%
Measuring Range	g	±50
Mounted Resonance Frequency	kHz	27
Amplitude Response ±10%	Hz	0.5 to 10000
Residual Noise	mg	0.04
Transverse Sensitivity	%	<5
Electrical Characteristics		
Output Impedance	Ω	<100
DC Output	At room temperature	V
Bias Voltage	In specified temp. range	V
Power Supply		mA
Start-up Time		s
Grounding		Case insulated
Environmental Characteristics		
Temperature Range	°C (°F)	-50 to +100 (-60 to +212)
Humidity		Hermetically sealed
Max. Operational Shock (peak)	g pk	5000
Base Strain Sensitivity	Equiv. g/μ strain	<0.012
Thermal Sensitivity	Equiv. %/°C (%/°F)	0.11 (0.06)
Physical Characteristics		
Dimensions		See outline drawing
Weight	gram (oz.)	41 (1.45)
Case Material		Stainless steel
Connector		MIL-C-5015
Mounting		¼"–28 UNF thread
Mounting Torque	Nm (lb. in.)	1.8 (15)

All values are typical at 25°C (77°F) unless measurement uncertainty is specified

COMPLIANCE WITH STANDARDS



Compliance with EMC Directive and Low Voltage Directive of the EU



Compliance with the EMC requirements of Australia and New Zealand

Ordering Information

Type 8341 includes the following accessories:

- Carrying box
- Calibration chart
- ¼"–28 UNF mounting stud, length 8.7 mm (0.34")

OPTIONAL ACCESSORIES*

- AO 0614: Tefzel® Double-shielded Cable, MIL-C-5015 to Open End, 15 m (49 ft.), –40 to +125°C (–40 to +257°F)
- AO 0610: Tefzel Double-shielded Cable, MIL-C-5015 to BNC, 15 m (49 ft.), –40 to +125°C (–40 to +257°F)
- UA 2056: ¼"–28 UNF mounting stud, length 8.7 mm, (0.34"), set of 10

SERVICE

- 8341-CAF: Industrial IEPE Accelerometer, Accredited Calibration
- 8341-CAI: Industrial IEPE Accelerometer, Accredited Calibration Performed as initial
- 8341-CTF: Industrial IEPE Accelerometer, Traceable Calibration
- 8341-CTI: Industrial IEPE Accelerometer, Traceable Calibration Performed as initial
- 8341-EW1: Industrial IEPE Accelerometer, Extended Warranty, one year extension

* Additional accessories and cables are available (see www.bksv.com)

TRADemarks

Tefzel is registered trademark of E.I. du Pont de Nemours and Company.

Brüel & Kjær reserves the right to change specifications and accessories without notice

HEADQUARTERS: DK-2850 Nærum · Denmark · Telephone: +45 4580 0500 · Fax: +45 4580 1405
www.bksv.com · info@bksv.com

Australia (+61) 2 9889-8888 · Austria (+43) 1 865 74 00 · Brazil (+55) 11 5188-8161
 Canada (+1) 514 695-8225 · China (+86) 10 680 29906 · Czech Republic (+420) 2 6702 1100
 Finland (+358) 9-521 300 · France (+33) 1 69 90 71 00 · Germany (+49) 421 17 87 0
 Hong Kong (+852) 2548 7486 · Hungary (+36) 1 215 83 05 · Ireland (+353) 1 807 4083
 Italy (+39) 0257 68061 · Japan (+81) 3 5715 1612 · Netherlands (+31) 318 55 9290
 Norway (+47) 66 77 11 55 · Poland (+48) 22 816 75 56 · Portugal (+351) 21 47 11 453
 Republic of Korea (+82) 2 3473 0605 · Singapore (+65) 6377 4512 · Slovak Republic (+421) 25 443 0701
 Spain (+34) 91 659 0820 · Sweden (+46) 8 449 8600 · Switzerland (+41) 44 880 7035
 Taiwan (+886) 2 2502 7255 · United Kingdom (+44) 14 38 739 000 · USA (+1) 800 332 2040

Local representatives and service organisations worldwide

Brüel & Kjær 

