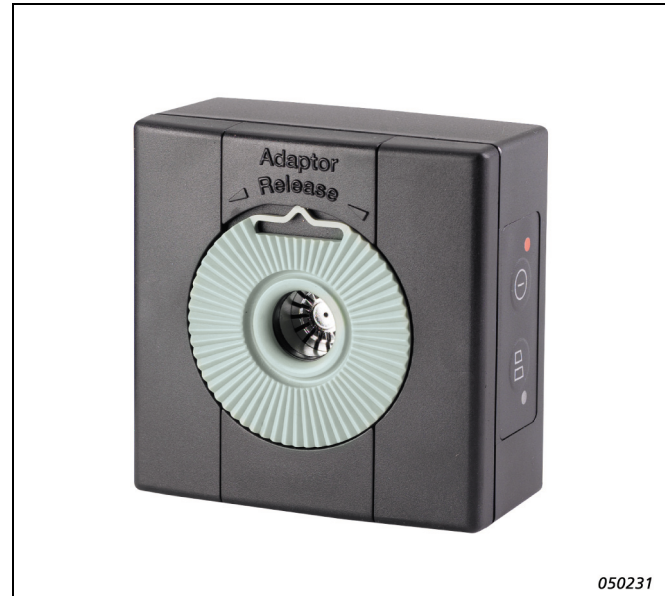


PRODUCT DATA

Sound Calibrator — Type 4231

Sound Calibrator Type 4231 is a handy, portable sound source for calibration of sound level meters and other sound measurement equipment. The calibrator is very robust and stable, and conforms to EN/IEC 60942 Class LS and Class 1, and ANSI S1.40-1984.



USES AND FEATURES

USES

- Calibration of sound level meters and other sound measurement equipment

FEATURES

- Conforms to EN/IEC 60942 (2003) Class LS and Class 1, and ANSI S1.40-1984
- Robust, pocket-sized design with highly stable level and frequency
- Calibration accuracy ± 0.2 dB
- 94 dB SPL, or 114 dB SPL for calibration in noisy environments
- Extremely small influence of static pressure and temperature
- Sound pressure independent of microphone equivalent volume
- 1 kHz calibration frequency for correct calibration level independent of weighting networks
- Fits Brüel & Kjær 1" and 1/2" microphones (1/4" and 1/8" microphones with adaptor)
- Switches off automatically when removed from the microphone

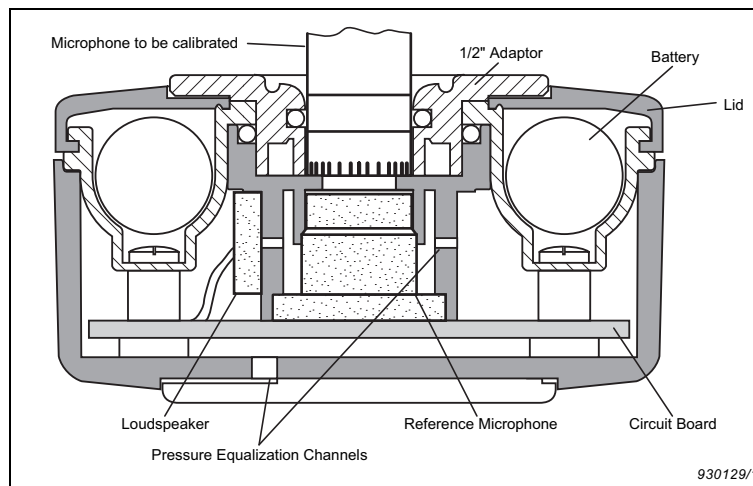
Sound Calibrator Type 4231

Sound Calibrator Type 4231 is a pocket-sized, battery operated sound source for quick and direct calibration of sound level meters and other sound measuring systems. It fits Brüel & Kjær 1" microphones and using the removable adaptor, 1/2" microphones. With optional adaptors, it can be used for 1/4" and 1/8" microphones as well.

The calibration frequency is 1000 Hz (the reference frequency for the standardised international weighting networks), so the same calibration value is obtained for all weighting networks (A, B, C, D and Linear). The calibration pressure of 94 ± 0.2 dB re $20 \mu\text{Pa}$ is equal to 1 Pa or 1 N/m^2 . The +20 dB level step gives 114 dB SPL, which is convenient for calibration in noisy environments, or for checking linearity.

The design of Type 4231 is based on a feed-back arrangement to ensure a highly stable sound pressure level and ease of use. The feed-back loop uses a condenser microphone (see Fig. 1), which is specially developed for this purpose.

Fig. 1
Cross-sectional view of Sound Calibrator Type 4231. The feed-back loop is based on a high-quality condenser microphone to ensure a very stable sound pressure level



This microphone is optimised to have extremely high stability and independence of variations in static pressure and temperature around the 1 kHz calibration frequency. The result of this is a user-friendly calibrator where exact fitting of the microphone is non critical and the effects of changes in temperature and static pressure are negligible.

Fig. 2
Type 4231 fitted to Hand-held Analyzer Type 2250. The calibrator's centre of gravity is positioned very close to the microphone, giving a stable set-up





The calibrator gives a continuous sound pressure level when fitted on a microphone (see Fig. 2) and activated.

The sensitivity of the sound measuring equipment can then be adjusted until it indicates the correct sound pressure level.

The calibrator is automatically switched off when removed from the microphone.

A leather protecting case, which does not need to be removed to use the calibrator, is supplied.

Compliance with Standards

 	CE-mark indicates compliance with: EMC Directive and Low Voltage Directive. C-Tick mark indicates compliance with the EMC requirements of Australia and New Zealand.
Safety	EN/IEC 61010-1: Safety requirements for electrical equipment for measurement, control and laboratory use. ANSI/UL 61010-1: Safety requirements for electrical equipment for measurement, control and laboratory use.
EMC Emission	EN/IEC 61000-6-3: Generic emission standard for residential, commercial and light industrial environments. EN/IEC 61000-6-4: Generic emission standard for industrial environments. CISPR 22: Radio disturbance characteristics of information technology equipment. Class B Limits. FCC Rules, Part 15: Complies with the limits for a Class B digital device. EN/IEC 60942: Instrumentation Standard – Electroacoustics – Sound Calibrators.
EMC Immunity	EN/IEC 61000-6-1: Generic standards – Immunity for residential, commercial and light industrial environments. EN/IEC 61000-6-2: Generic standards – Immunity for industrial environments. EN/IEC 61326: Electrical equipment for measurement, control and laboratory use – EMC requirements. EN/IEC 60942: Instrumentation Standard – Electroacoustics – Sound Calibrators. Note: The above is only guaranteed using accessories listed in this Product Data sheet.
Temperature	IEC 60068-2-1 & IEC 60068-2-2: Environmental Testing. Cold and Dry Heat. Operating Temperature: -10 to +50°C (14 to 122°F) Storage Temperature: -25 to +70°C (-13 to +158°F)
Humidity	IEC 60068-2-78: Damp Heat: 90% RH (non-condensing at 40°C (104°F)).
Mechanical	Non-operating: IEC 60068-2-6: Vibration: 0.3 mm (10 to 58 Hz), 20 m/s ² (58–500 Hz) IEC 60068-2-27: Shock: 1000 m/s ² IEC 60068-2-29: Bump: 3000 bumps at 400 m/s ²
Enclosure	IEC 60529: Protection provided by enclosures: IP 50 with leather protection case.

Specifications – Sound Calibrator Type 4231

STANDARDS SATISFIED

EN/IEC 60942 (2003), Class LS and Class 1, Sound Calibrators
ANSI S1.40 – 1984, Specification for Acoustic Calibrators

SOUND PRESSURE LEVELS

94.0 dB ±0.2 dB (Principal SPL) or
114.0 dB ±0.2 dB re 20 µPa at reference conditions

FREQUENCY

1 kHz ±0.1%

SPECIFIED MICROPHONE

Size according to IEC 61094-4:

- 1" without adaptor
- 1/2" with adaptor UC-0210 (supplied)
- 1/4" with adaptor DP-0775 (optional)
- 1/8" with adaptor DP-0774 (optional)

EQUIVALENT FREE-FIELD LEVEL

(0° incidence, re Nominal Sound Pressure Level)
–0.15 dB for 1/2" Brüel & Kjær Microphones. See Type 4231 User Manual for other microphones

EQUIVALENT RANDOM INCIDENCE LEVEL

(re Nominal Sound Pressure Level)
+0.0 dB for 1", 1/2", 1/4" and 1/8" Brüel & Kjær Microphones

NOMINAL EFFECTIVE COUPLER VOLUME

> 200 cm³ at reference conditions

DISTORTION

< 1%

LEVEL STABILITY

Short-term: Better than 0.02 dB (as specified in IEC 60942)

One Year: Better than 0.05 dB ($\sigma = 96\%$)

Stabilization Time: < 5 s

REFERENCE CONDITIONS

Temperature: 23°C ±3°C (73° ±5°F)

Pressure: 101 ±4 kPa

Humidity: 50%, -10% +15% RH

Effective Load Volume: 0.25 cm³

ENVIRONMENTAL CONDITIONS

Pressure: 65 to 108 kPa

Humidity: 10 to 90% RH (non-condensing)

Effective Load Volume: 0 to 1.5 cm³

INFLUENCE OF ENVIRONMENTAL CONDITIONS (Typical)

Temperature Coefficient: ±0.0015 dB/°C

Pressure Coefficient: +8 × 10⁻⁴ dB/kPa

Humidity Coefficient: 0.001 dB/% RH

POWER SUPPLY

Batteries: 2 × 1.5 V IEC Type LR6 ("AA" size)

Lifetime: Typically 200 hours continuous operation with alkaline batteries at 23°C (73°F)

Battery Check: When Type 4231 stops working continuously, and only operates when the On/Off button is held in, the batteries should be replaced

DIMENSIONS AND WEIGHT

(Without case)

Height: 40 mm (1.5")

Width: 72 mm (2.8")

Depth: 72 mm (2.8")

Weight: 150 g (0.33 lb.), including batteries

Note: All values are typical at 25°C (77°F), unless measurement uncertainty or tolerance field is specified. All uncertainty values are specified at 2 σ (i.e., expanded uncertainty using a coverage factor of 2)

Ordering Information

Type 4231 Sound Calibrator includes the following accessories:

KE-0317 Leather Case
QB-0013 2 Alkaline Batteries Type LR6
UC-0210 Adaptor for 1/2" microphones

Optional Accessories

DP-0775 Adaptor for 1/4" microphones
DP-0774 Adaptor for 1/8" microphones
DP-0887 Adaptor for Head and Torso Simulator Type 4128
DP-0888 Adaptor for Intensity Probe Sets Types 3545, 3548, 3583, 3584

Brüel & Kjær reserves the right to change specifications and accessories without notice

HEADQUARTERS: DK-2850 Nærum · Denmark · Telephone: +45 4580 0500
Fax: +45 4580 1405 · www.bksv.com · info@bksv.com

Australia (+61) 2 9889-8888 · Austria (+43) 1 865 74 00 · Brazil (+55) 11 5188-8161
Canada (+1) 514 695-8225 · China (+86) 10 680 29906 · Czech Republic (+420) 2 6702 1100
Finland (+358) 9-521 300 · France (+33) 1 69 90 71 00 · Germany (+49) 421 17 87 0
Hong Kong (+852) 2548 7486 · Hungary (+36) 1 215 83 05 · Ireland (+353) 1 807 4083
Italy (+39) 0257 68061 · Japan (+81) 3 5715 1612 · Republic of Korea (+82) 2 3473 0605
Netherlands (+31) 318 55 9290 · Norway (+47) 66 77 11 55 · Poland (+48) 22 816 75 56
Portugal (+351) 21 41 69 040 · Singapore (+65) 6377 4512 · Slovak Republic (+421) 25 443 0701
Spain (+34) 91 659 0820 · Sweden (+46) 33 225 622 · Switzerland (+41) 44 880 7035
Taiwan (+886) 2 2502 7255 · United Kingdom (+44) 14 38 739 000 · USA (+1) 800 332 2040

Local representatives and service organisations worldwide

Brüel & Kjær 

