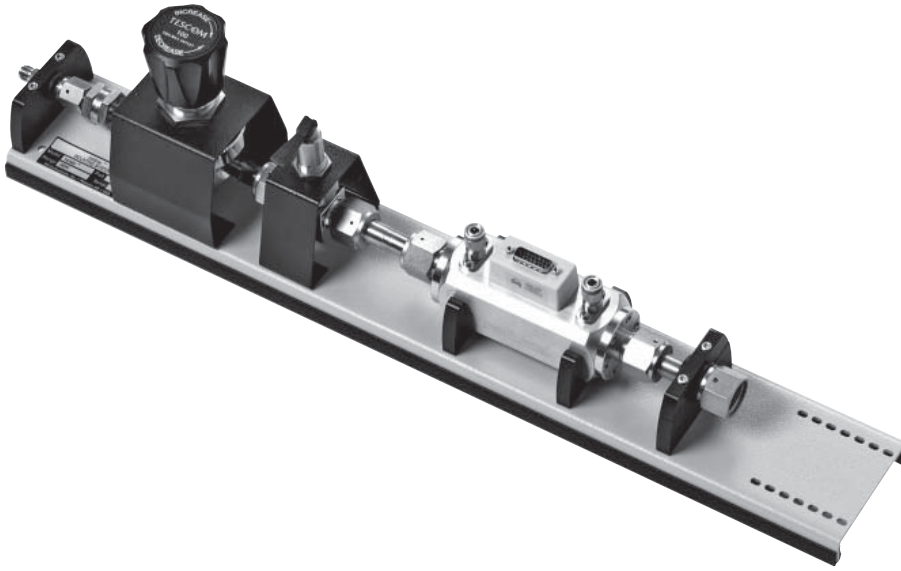


molstic-L™

Mounting Systems for molbloc-L® Mass Flow Elements



DESCRIPTION

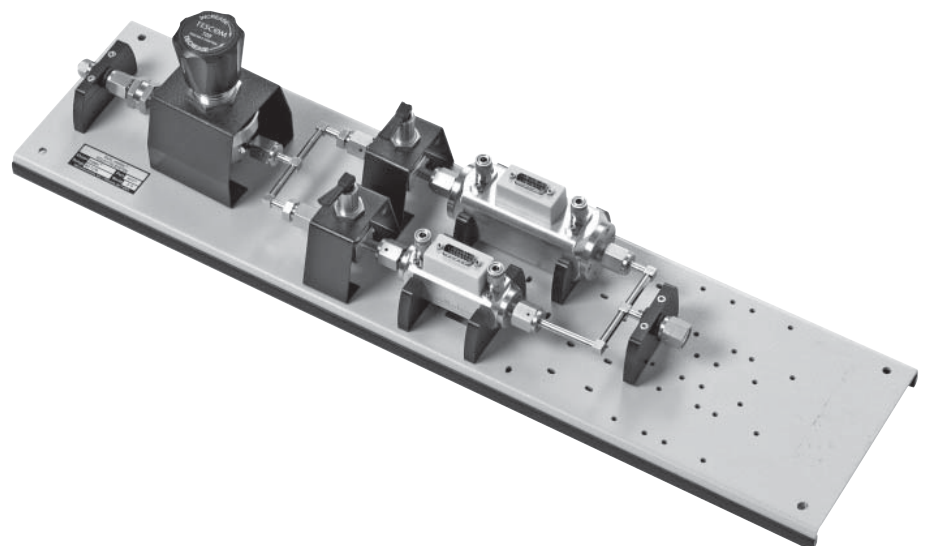
molstic molbloc mounting systems are available to assist you in realizing the full performance benefits of your molbloc/molbox™ system. molstics provide an engineered solution to the practical issues of mounting the molbloc, connecting a gas supply, regulating the pressure and connecting the device to be tested. Highest quality components are integrated into a compact assembly to assure optimum molbloc/molbox performance.

molstics provide a quick connector input for convenient connection to the gas supply. This is followed by a 2 micron (0.5 micron for low flow) filter to protect the downstream components. Then, an adjustable regulator sets and regulates optimum molbloc upstream pressure and protects the molbox transducers

against accidental overpressure. The regulator range supports all standard molbloc operating pressure ranges. A bellows shut-off valve, just before the molbloc, allows the gas supply to be shut-off for configuration changes and/or system leak checking. Special cradles support the molbloc(s). A connection and pads are provided downstream of the molbloc for mounting the MFC (mass flow controller), another device under test, or the optional metering valve kit for manual flow control.

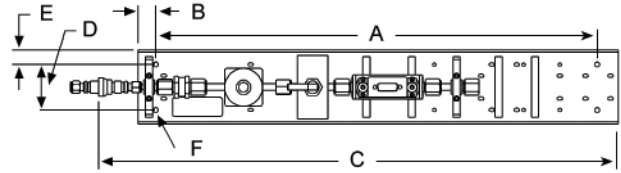
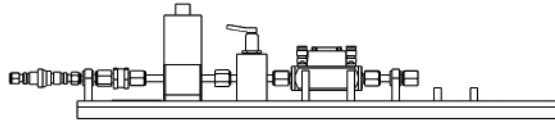
Single channel molstics are available to accommodate single molblocs. Dual channel models allow two molblocs to be mounted simultaneously to switch between two different molbloc ranges without changing hardware or to take advantage of molbox1's capability to run two molblocs in parallel.

There are low, mid and high flow versions of molstic. Low flow molstics use a unique, very high stability pressure regulator and minimize dead volumes. They are required for effective use of 2E2-L and lower molblocs and can be used up to the 1E3-L molbloc size. The mid flow molstics cover the ranges of all the molblocs from as low 2E2-L up to the 3E4-L. The high flow molstic is required for the 1E5-L (100 slm) molbloc and supports that molbloc only.

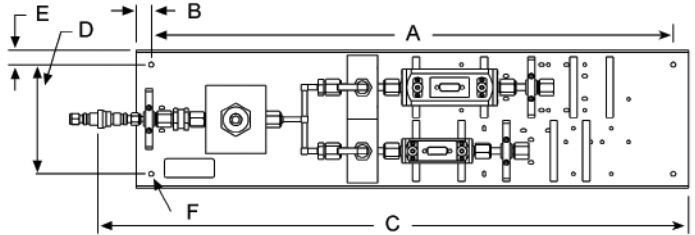
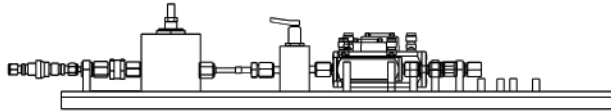


molstic-L™ Mounting Systems for molbloc-L™ Mass Flow Elements

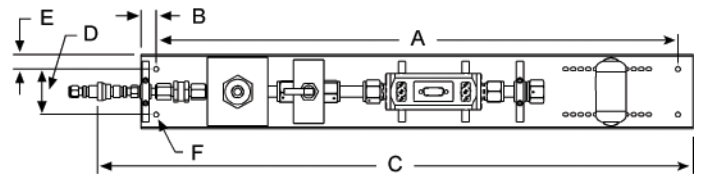
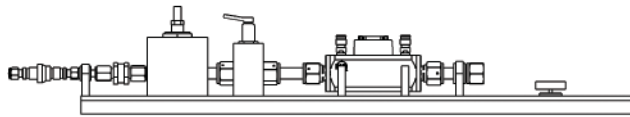
single, low flow



dual, mid flow



single, hi flow



DIMENSIONS (mm (in.))

molstic	A	B	C	D	E	F
single, low flow	584 (22.99)	26 (1.02)	687.3 (27.06)	60 (2.36)	19 (0.75)	6.40 (0.252) Mounting Holes, 4 PL
dual, mid flow	690 (27.17)	20 (0.79)	752.4 (29.62)	144 (5.67)	19 (0.75)	6.40 (0.252) Mounting Holes, 4 PL
single, hi flow	690 (27.17)	20 (0.79)	787.7 (31.01)	60 (2.36)	19 (0.75)	6.40 (0.252) Mounting Holes, 4 PL

ORDERING INFORMATION

molstics

DESIGNATOR	DESCRIPTION	PART NUMBER	PURPOSE
molstic	single, low flow	401316	Single molbloc, 1E3-L or lower
molstic	dual, low flow	401318	Two molblobs, 1E3-L or lower
molstic	single, mid flow	401244	Single molbloc, 2E2-L to 3E4-L
molstic	dual, mid flow	401317	Two molblobs, 2E2-L to 3E4-L
molstic	single, hi flow	401663	Single molbloc, 1E5-L only

ACCESSORIES

DESIGNATOR	DESCRIPTION	PART NUMBER	PURPOSE
Tee, Downstream	for dual mid molstic	122581	Connect two same size molblobs together at outlet
Tee, Downstream, lrg/sml	for dual mid molstic	401324	Connect large and small size molblobs together at outlet
Metering Valve	low flow molstic	401319	Install on molstic downstream of molbloc for manual flow control
Metering Valve	mid/hi flow molstic	401320	Install on molstic downstream of molbloc for manual flow control

CONFIGURATION NOTES

- 1E1-L to 5E3-L molblobs are "small" molblobs. 1E4-L to 1E5-L molblobs are "large" molblobs. The 1E5-L molbloc is unique due to its end fittings.
- The hi flow molstic supports only the 1E5-L molbloc with 1/2 in. VCR male end fittings. Low and mid flow molstics can only be used with molblobs having 1/4 in. VCR male end fittings (1E1-L to 3E4-L molblobs).
- The downstream connection of low and mid flow molstics is 1/4 in. VCR female and an adaptor to 1/4 in. male Swagelok is provided. The downstream connection of the hi flow molstic is 1/2 in. VCR female and a 1/4 in. VCR female adaptor is provided.
- The optimum range distribution between low and mid flow molstics is low for molblobs of 1E3-L and below and mid for molblobs from 5E3-L to 3E4-L. The 1E5-L molbloc requires the hi flow molstic which supports no other molbloc size.
- Mid molstics are designed to mount either large or small sized molblobs. Same size molblobs can be interchanged quickly on any molstic. More effort is required to interchange molblobs of different sizes.

molstic, molbloc and molbox are trademarks, registered and otherwise, of DH Instruments, a Fluke Company

VCR and Swagelok are trademarks of the Swagelok Companies.

Due to a policy of continual product improvement, product specifications, descriptions and features are subject to change without notice.

DH Instruments, a Fluke Company

4765 East Beautiful Lane
Phoenix, AZ 85044-5318
USA

© 1997 - 2007 DH Instruments, a Fluke Company



Printed in USA 12/2007 3191941 ENG Rev A

Tel 602.431.9100
Fax 602.431.9559
dhi@dhinstruments.com
www.dhinstruments.com

Bro. No. 7021.10.E.5