

# PRODUCT DATA

## DeltaTron<sup>®</sup> Accelerometers — Types 4514, 4514-001, 4514-002, 4514-004, 4514-B, 4514-B-001, 4514-B-002 and 4514-B-004

The wide frequency range, low noise-to-signal ratio and choice of sensitivity from 1 to 50 mV/ms<sup>-2</sup> (10 to 500 mV/g) means the Type 4514 range of accelerometers covers a wide range of measurement applications and can be used in a variety of environmental conditions.

### FEATURES

- Insulated base
- Hermetically sealed
- High resolution
- Low noise
- Low-impedance output
- TEDS – ‘B’ types only

### Description

The Type 4514 accelerometer family are piezoelectric Shear accelerometers with integral electronics. The transducers feature a 10–32 UNF top connector, an insulated base and are hermetically sealed. The transducers have a high resolution, giving an excellent signal-to-noise ratio. The three types can be mounted by means of a 10–32 UNF threaded stud, or adhesively mounted.

### Characteristics

In the Shear design, the piezoelectric element undergoes shear deformation as in the DeltaShear<sup>®</sup> design. Two rectangular slices of piezoelectric material are arranged on opposite sides of a rectangular centre post. This design gives a high degree of linearity, and excellent immunity to base bending and temperature fluctuations. The signal is collected and amplified in the built-in amplifier. The housing material is titanium.

### TEDS Versions (‘B’ Types)

The ‘B’ version of each Type 4514 includes Transducer Electronic Datasheet (TEDS), containing sensor specific and application specific information, including frequency and phase response compensation. The ‘B’ versions are in all other aspects identical to the ‘non-B’ versions. The TEDS device will survive the temperature range of the

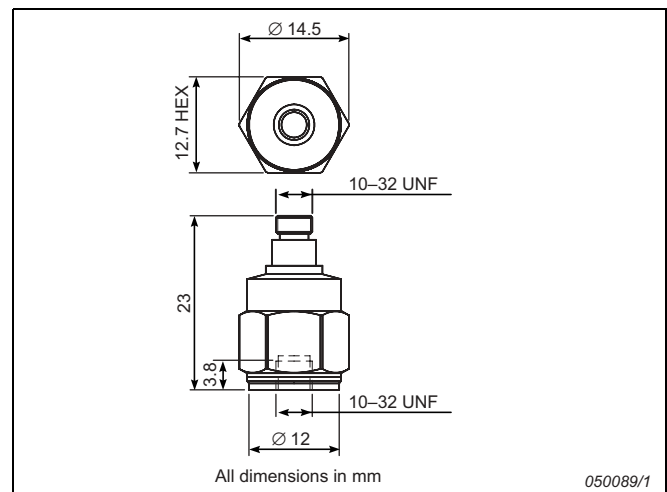


accelerometer and operate in the temperature range from –40°C to +85°C.

### Calibration

The transducers are individually calibrated using state-of-the-art random FFT technology, providing an 800-point high-resolution calibration (magnitude and phase), ultimately giving a unique characterisation and securing the integrity of the vibration measurement.

The sensitivity given on the calibration chart has been measured at 159.2 Hz with a 95% confidence level, using a coverage factor  $k = 2$ .

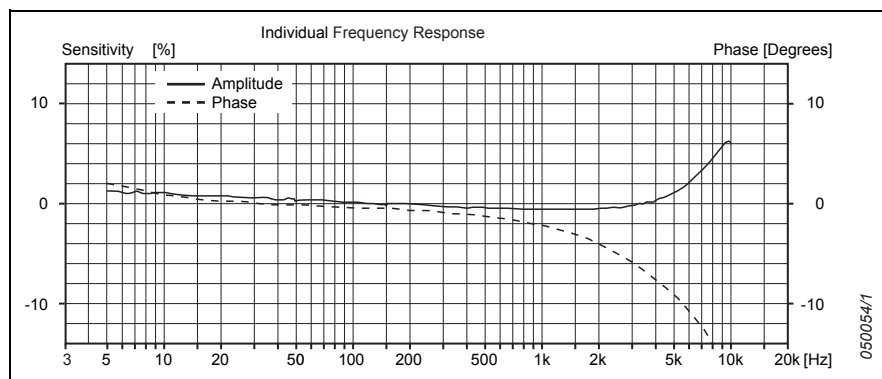


## Specifications – General Purpose DeltaTron Accelerometers Types 4514(-B), 4514(-B)-001, 4514(-B)-002 and 4514(-B)-004

	Units	4514/ 4514-B	4514-001/ 4514-B-001	4514-002/ 4514-B-002	4514-004/ 4514-B-004
<b>Dynamic Characteristics</b>					
Voltage Sensitivity (@ 160Hz)	mV/ms <sup>-2</sup> (mV/g)	1 +12/-8% (10 ± 10%)	10 +12/-8% (100 ± 10%)	50 +12/-8% (500 ± 10%)	5 +12/-8% (50 ± 10%)
Measuring Range (±pk)	ms <sup>-2</sup> (g)	4900 (500)	490 (50)	98 (10)	980 (100)
Frequency Response		See typical amplitude response			
Mounted Resonance Frequency	kHz	32			
Amplitude Response ±10% (typical) <sup>a</sup>	Hz	1 to 10000			
Residual Noise	mg	0.8	0.2	0.1	0.3
Transverse Sensitivity	%	<5			
<b>Electrical Characteristics</b>					
Output Impedance (typical)	Ω	20	100	200	50
DC Output At room temperature	V	12 ± 1			
Bias Voltage In specified temp. range	V	8 to 16			
Power Supply	mA	2 to 20			
Start-up Time	s	1	1	3	1
Grounding		Insulated base			
<b>Environmental Characteristics</b>					
Temperature Range	°C	-51 to +121	-51 to +100	-51 to +100	-51 to +121
	°F	-60 to +250	-60 to +212	-60 to +212	-60 to +250
Humidity		Hermetically sealed			
Max. Operational Shock (peak)	g pk	5000			
Base Strain Sensitivity	Equiv. g/μ strain	0.003			
Thermal Sensitivity	Equiv. %/°C (%/°F)	0.35 (0.19)			
Thermal Shock Sensitivity	g/°C	0.04			
<b>Physical Characteristics</b>					
Dimensions		See outline drawing			
Weight	gram (oz.)	8.7 (0.3)			
Case Material		Titanium			
Connector		10-32 UNF			
Mounting		10-32 UNF threaded hole			
Mounting Torque	Nm (lb.in.)	1.7 (15)			

a. Individual frequency response calibration up to 10 kHz

All values are typical at 25°C (77°F) unless measurement uncertainty is specified



### TRADEMARKS

Teflon is a registered trademark of E.I. du Pont de Nemours and Company.

Brüel & Kjær reserves the right to change specifications and accessories without notice

HEADQUARTERS: DK-2850 Nærum · Denmark · Telephone: +45 4580 0500  
Fax: +45 4580 1405 · www.bksv.com · info@bksv.com

Australia (+61) 2 9889-8888 · Austria (+43) 1 865 74 00 · Brazil (+55) 11 5188-8161  
Canada (+1) 514 695-8225 · China (+86) 10 680 29906 · Czech Republic (+420) 2 6702 1100  
Finland (+358) 9-755 950 · France (+33) 1 69 90 71 00 · Germany (+49) 421 17 87 0  
Hong Kong (+852) 2548 7486 · Hungary (+36) 1 215 83 05 · Ireland (+353) 1 807 4083  
Italy (+39) 0257 68061 · Japan (+81) 3 5715 1612 · Republic of Korea (+82) 2 3473 0605  
Netherlands (+31) 318 55 9290 · Norway (+47) 66 77 11 55 · Poland (+48) 22 816 75 56  
Portugal (+351) 21 4169 040 · Singapore (+65) 377 4512 · Slovak Republic (+421) 25 443 0701  
Spain (+34) 91 659 0820 · Sweden (+46) 33 225 622 · Switzerland (+41) 44 8807 035  
Taiwan (+886) 2 2502 7255 · United Kingdom (+44) 14 38 739 000 · USA (+1) 800 332 2040

Local representatives and service organisations worldwide

### COMPLIANCE WITH STANDARDS

Compliance with EMC Directive and Low Voltage Directive of the EU

Compliance with the EMC requirements of Australia and New Zealand

### Ordering Information

Types 4514(-B), 4514(-B)-001, 4514(-B)-002 and 4514(-B)-004 include the following accessories:

- Carrying box
- Calibration chart
- 10-32 UNF Beryllium mounting stud, length 6.7 mm (0.26")
- 'B' versions include TEDS

### OPTIONAL ACCESSORIES\*

- AO-0038-D-012: Teflon® super low-noise cable, 10-32 UNF to 10-32 UNF connector 250°C (482°F), length 1.2 m (4 ft)
- AO-0531-D-050: PVC insulated flexible cable, 10-32 UNF to BNC connector 70°C (158°F), 5 m (17 ft)
- JP-0145: Plug adaptor, BNC/10-32 UNF
- UA-0186: Extension connector for 10-32 UNF cables, set of 25
- QS-0007: Tube of cyanoacrylate adhesive
- YJ-0216: Beeswax for mounting
- DB-0544: 10-32 UNF Round tip
- QA-0029: Tap for 10-32 UNF thread
- UA-0866: Cement stud 10-32 UNF 0.14 mm (0.005") (set of 25)
- UA-2064: 10-32 UNF threaded steel stud with flange, length 5.3 mm (0.2"), set of 10
- UA-2063: 10-32 UNF threaded steel studs, length 7.5 mm (0.3"), set of 10

### SERVICE

- 4514-CAF: IEPE Accelerometer, Accredited Calibration
- 4514-CAI: IEPE Accelerometer, Accredited Calibration Performed as initial
- 4514-CTF: IEPE Accelerometer, Traceable Calibration
- 4514-CTI: IEPE Accelerometer, Traceable Calibration Performed as initial
- 4514-EW1: IEPE Accelerometer, Extended Warranty, one year extension

\* Additional accessories and cables are available (see www.bksv.com)

**Brüel & Kjær**

