

PRODUCT DATA

Piezoelectric Accelerometer Miniature DeltaTron[®] Accelerometers — Types 4518, 4518-001, 4518-002 and 4518-003

FEATURES AND USES

- Hermetically sealed
- Low weight
- Low-impedance output
- Measurements in confined spaces
- Measurements on delicate structures
- High frequency range (> 20 Hz)

Description

Types 4518, 4518-001, 4518-002 and 4518-003 are piezoelectric Shear accelerometers with integral electronics. The transducers feature a M3 top connector and are hermetically sealed for high resistance to harsh environments. The transducers have a high resolution giving an excellent signal-to-noise ratio.

Two types have been designed for mounting on the object by means of an integrated M3 threaded stud and two types for adhesive mounting.

Characteristics

The piezoelectric accelerometers feature built-in preamplifiers. The sensitivity is expressed in terms of voltage per unit acceleration (mV/g).

In the Shear design, the piezoelectric element undergoes shear deformation as in the DeltaShear[®] design. Two rectangular slices of piezoelectric material are arranged on each side of a rectangular centre post. This design gives a high degree of linearity, and excellent immunity to base bending and temperature fluctuations. The signal is collected and amplified in the built-in amplifier. The housing material is titanium.

Calibration

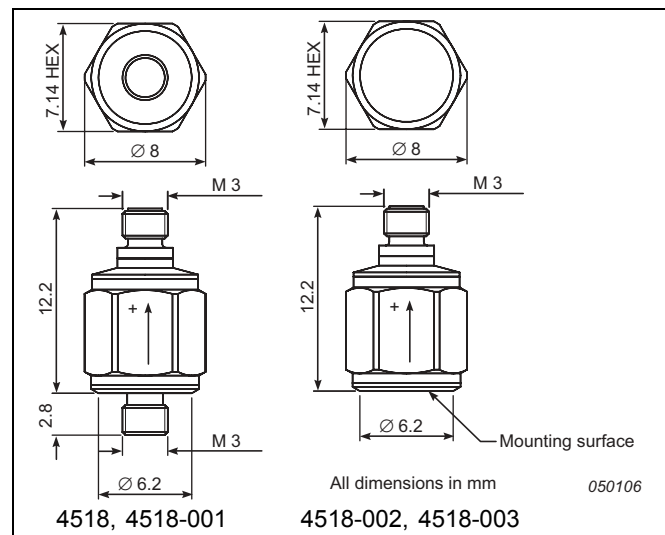
The transducers are individually calibrated using state-of-the-art random FFT technology, providing an 800-point high-resolution calibration (magnitude and phase), ultimately giving a unique characterisation and securing the integrity of the vibration measurement.



The sensitivity given on the calibration chart has been measured at 159.2 Hz with a 95% confidence level, using a coverage factor $k = 2$.

Recommended Mounting

Due to the small size, careful mounting is required to ensure correct operation over the full frequency range of the accelerometer.

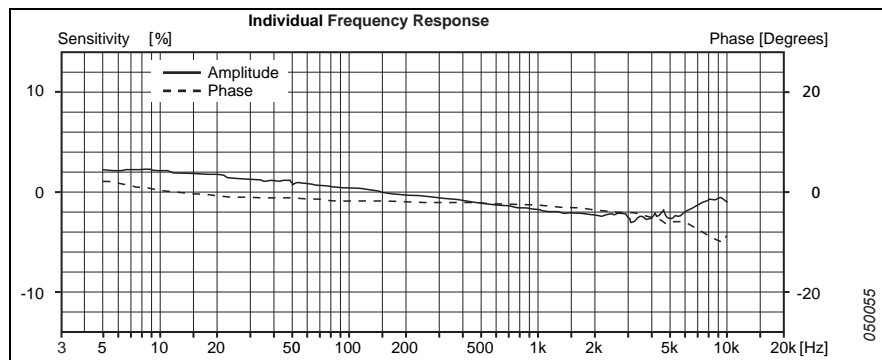


Specifications – Miniature DeltaTron Accelerometers Types 4518, 4518-001, 4518-002 and 4518-003

	Units	4518	4518-001	4518-002	4518-003
Dynamic Characteristics					
Voltage Sensitivity (@ 160Hz)	mV/g	10 ±10%	100 ±10%	10 ±10%	100 ±10%
Measuring Range	g	± 500	± 50	± 500	± 50
Frequency Response		See typical amplitude response			
Mounted Resonance Frequency	kHz	>60			
Amplitude Response ±10% (typical) ^a	Hz	0.5 to 20000			
Residual Noise	mg	2.0	0.9	2.0	0.9
Transverse Sensitivity	%	<5			
Electrical Characteristics					
Output Impedance	Ω	< 100			
DC Output At room temperature	V	12 ± 1			
Bias Voltage In specified temp. range	V	8 to 16			
Power Supply	mA	2 to 20			
Start-up Time	s	< 1			
Grounding		Case grounded			
Environmental Characteristics					
Temperature Range	°C	-51 to +121	-51 to +100	-51 to +121	-51 to +100
	°F	-60 to +250	-60 to +212	-60 to +250	-60 to +212
Humidity		Hermetically sealed			
Max. Operational Shock (peak)	g pk	5000			
Base Strain Sensitivity	Equiv. g/μ strain	0.007			
Thermal Sensitivity	Equiv. %/°C (%/°F)	0.2 (0.1)			
Physical Characteristics					
Dimensions		See outline drawing			
Weight	gram (oz.)	1.5 (0.05)			
Case Material		Titanium			
Connector		M3			
Mounting		M3 Stud		Adhesive	
Max. Mounting Torque	Nm (lb. in.)	1.7 (15)		-	

a. Individual frequency response calibration up to 10 kHz

All values are typical at 25°C (77°F) unless measurement uncertainty is specified



COMPLIANCE WITH STANDARDS

Compliance with EMC Directive and Low Voltage Directive of the EU

Compliance with the EMC requirements of Australia and New Zealand

TRADEMARKS

Teflon is a registered trademark of E.I. du Pont de Nemours and Company.

Brüel & Kjær reserves the right to change specifications and accessories without notice

HEADQUARTERS: DK-2850 Nærum · Denmark · Telephone: +45 4580 0500
Fax: +45 4580 1405 · www.bksv.com · info@bksv.com

Australia (+61) 2 9889-8888 · Austria (+43) 1 865 74 00 · Brazil (+55) 11 5188-8161
Canada (+1) 514 695-8225 · China (+86) 10 680 29906 · Czech Republic (+420) 2 6702 1100
Finland (+358) 9-755 950 · France (+33) 1 69 90 71 00 · Germany (+49) 421 17 87 0
Hong Kong (+852) 2548 7486 · Hungary (+36) 1 215 83 05 · Ireland (+353) 1 807 4083
Italy (+39) 0257 68061 · Japan (+81) 3 5715 1612 · Republic of Korea (+82) 2 3473 0605
Netherlands (+31) 318 55 9290 · Norway (+47) 66 77 11 55 · Poland (+48) 22 816 75 56
Portugal (+351) 21 4169 040 · Singapore (+65) 377 4512 · Slovak Republic (+421) 25 443 0701
Spain (+34) 91 659 0820 · Sweden (+46) 33 225 622 · Switzerland (+41) 44 8807 035
Taiwan (+886) 2 2502 7255 · United Kingdom (+44) 14 38 739 000 · USA (+1) 800 332 2040

Local representatives and service organisations worldwide

Ordering Information

All versions of Type 4518 include:

- Carrying box
- Calibration chart

OPTIONAL ACCESSORIES*

- AO-0641: PVC insulated flexible cable, M3 to BNC, 5 m (16.4 ft), -5 to +70°C (+23 to +158°F)
- AO-0283: 260°C Teflon® low-noise cable, 10–32 UNF/M3, length 1.2 m (4 ft)
- AO-0339: Flexible low-noise cable, 10–32 UNF/M3, 1.2 m (4 ft)
- UA-0186: Extension connector for 10–32 UNF cables, set of 25
- JP-0145: 10–32 UNF to BNC connector adaptor
- QA-0041: Tap for M3 thread
- QS-0007: Tube of cyanoacrylate adhesive
- YJ-0216: Beeswax for mounting
- DB-1425: Adaptor 10–32 UNF to M3 hole
- YO-0073: 25 × adhesive mounting disc; length 5 mm

SERVICE

- 4518-CAF: Miniature IEPE Accelerometer, Accredited Calibration
- 4518-CAI: Miniature IEPE Accelerometer, Accredited Calibration Performed as initial
- 4518-CTF: Miniature IEPE Accelerometer, Traceable Calibration
- 4518-CTI: Miniature IEPE Accelerometer, Traceable Calibration Performed as initial
- 4518-EW1: Miniature IEPE Accelerometer, Extended Warranty, one year extension

* Additional accessories and cables are available (see www.bksv.com)

