

PRODUCT DATA

Piezoelectric Accelerometers Miniature Triaxial DeltaTron® Accelerometers — Types 4520, 4520-001 and 4520-004

USES AND FEATURES

- General purpose
- Structural analysis
- Modal measurements
- Triaxial
- Lightweight
- Hermetically sealed

Description

Types 4520, 4520-001 and 4520-004 are small, lightweight, triaxial, piezoelectric accelerometers, with sensitivities of 10 or 1 mV/g. All types feature a hermetic 4-pin receptacle 1/4"-28 UNF-2A with three independent outputs for simultaneous measurements on the x-, y- and z-axes. Their light weight makes them ideal for measurements on light structures.

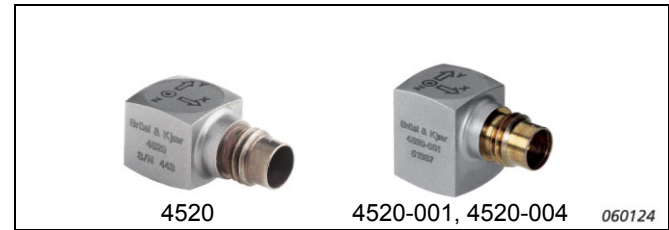
Mounting

Careful mounting is required to ensure correct operation over the full frequency range of the accelerometers.

Versions

Type 4520 weighs <3 grams and is mounted adhesively.

Types 4520-001 and 4520-004 weigh 4 grams and can be mounted either adhesively or by using a stud and the M3 tapped hole.



Characteristics

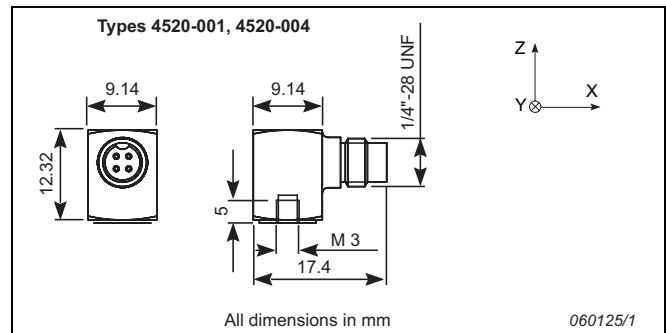
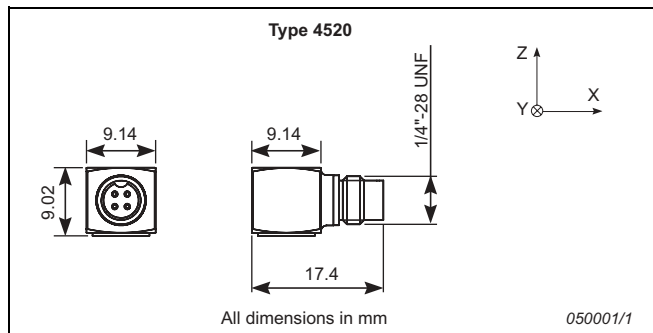
The accelerometer design features a built-in preamplifier. The accelerometer's sensitivity is expressed in terms of voltage per unit acceleration, mV/ms^{-2} (mV/g).

The accelerometers are Shear designs where the piezoelectric elements undergo shear deformation. This design exhibits good characteristics regarding base strain and temperature variations. The housing is titanium, the unit is hermetically sealed, and the sensing element is quartz.

Calibration

Each accelerometer is individually calibrated using state-of-the-art, random FFT technology to provide a comprehensive, 1600-point, high-resolution calibration chart (magnitude and phase), which ultimately gives a unique characterisation and secures the integrity of the vibration measurement.

The sensitivity given in the calibration chart has been measured at 159.2 Hz with a 95% confidence level, using a coverage factor $k = 2$.



Specifications – Miniature Triaxial DeltaTron Accelerometers Types 4520, 4520-001 and 4520-004

		Units	4520 ^a	4520-001 ^b	4520-004 ^c
Dynamic Characteristics					
Voltage Sensitivity (@ 159.2 Hz)		mV/ms ⁻² (mV/g)	1 +12/-8% (10 ±10%)		0.1 +12/-8% (1 ±10%)
Measuring Range		ms ⁻² (g)	± 5000 (± 500)		± 50000 (± 5000)
Mounted Resonance Frequency		kHz	x, y: 30 z: 40	x: 20 y: 25 z: 30	
Amplitude Response ±10% [1]		Hz	x, y, z: 2 to 7000	x, y: 2 to 4000 z: 2 to 7000	
Residual Noise (2 Hz to 7 kHz)		mg	x, y, z: 7		x, y, z: 56
Transverse Sensitivity		%	<5		
Electrical Characteristics					
DC Output	At room temperature	V DC	8.5 to 11.5		
Bias Voltage	In specified temp. range	V DC	8 to 16		
Output Impedance		Ω	<100		
Grounding			Signal ground connected to case		
Power Requirements					
Supply Voltage		V DC	18 to 30		
Supply Current		mA	2 to 20		
Warm-up Time		s	1		
Environmental Characteristics					
Temperature Range		°C (°F)	-51 to +121 (-60 to +250)		
Humidity			Hermetically sealed		
Operational Sinusoidal Vibration Limit (peak)		ms ⁻² (g)	5000 (500)		50000 (5000)
Shock Limit (peak)		ms ⁻² (g)	50000 (5000)		
Base Strain Sensitivity		Equiv. g/μstrain	0.03	0.015	
Magnetic Sensitivity		g/T	1.2		4
Temperature Response		%/°C (%/°F)	-0.06 (-0.033)		
Thermal Transient Sensitivity		g/°C (g/°F)	0.36 (0.2)		
Physical Characteristics					
Dimensions			See outline drawing		
Weight		gram (oz.)	2.9 (0.10)	4 (0.14)	
Case Material			Titanium		
Connector			Hermetic 4-pin receptacle ¼"-28 UNF-2A		
Mounting			Adhesive	M3 tapped hole or adhesive	

[1] All values typical at 25°C (77°F) unless measurement uncertainty is specified

COMPLIANCE WITH STANDARDS



Compliance with EMC Directive and Low Voltage Directive of the EU



Compliance with the EMC requirements of Australia and New Zealand

Note: The unit may be sensitive to conducted RF^c and surge transients^{a, b, c}

Ordering Information

Type 4520 includes the following accessories:

- Carrying Box
- Calibration Chart

Types 4520-001 and 4520-004 include the following accessories:

- Carrying Box
- Calibration Chart
- M3 to M3 Mounting Stud with Flange

OPTIONAL ACCESSORIES

- AO-0526-D-050 Cable with 4-pin to 3 × BNC Connectors, 5 m (16 ft) 85°C (185°F)
- AO-0527-D-050 Cable with 4-pin to 3 × 10-32 UNF Connectors, 5 m (16 ft) 85°C (185°F)
- AO-0528-D-050 Cable with 4-pin to 4-pin Connectors, 5 m (16 ft) 85°C (185°F)
- AO-0534-D-050 Cable with 4-pin to 3 × BNC Connectors, 5 m (16 ft) 120°C (248°F)
- DB-1425 Adaptor M3 to 10-32 UNF
- QS-0007 Tube of Cyanoacrylate Adhesive
- UA-1075 Mounting Magnet with M3 Stud
- UA-1193 Set of 10 M3 to M3 Insulating Studs
- UA-1221 Set of 25 M3 to M3 Studs with Flange
- UA-2065 Set of 10 M3 Steel Studs
- WA-0224 Mechanical Filter
- WB-1453 DeltaTron Power Supply

SERVICE

- 4520-CAF Miniature Cubic Triaxial IEPE Accelerometer, Accredited Calibration
- 4520-CAI Miniature Cubic Triaxial IEPE Accelerometer, Accredited Calibration Performed as Initial
- 4520-CTF Miniature Cubic Triaxial IEPE Accelerometer, Traceable Calibration
- 4520-CTI Miniature Cubic Triaxial IEPE Accelerometer, Traceable Calibration Performed as Initial
- 4520-EW1 Miniature Cubic Triaxial IEPE Accelerometer, Extended Warranty, one year extension

Brüel & Kjær reserves the right to change specifications and accessories without notice

HEADQUARTERS: DK-2850 Nærum · Denmark · Telephone: +45 4580 0500
Fax: +45 4580 1405 · www.bksv.com · info@bksv.com

Australia (+61) 2 9889-8888 · Austria (+43) 1 865 74 00 · Brazil (+55) 11 5188-8161
Canada (+1) 514 695-8225 · China (+86) 10 680 29906 · Czech Republic (+420) 2 6702 1100
Finland (+358) 9-755 950 · France (+33) 1 69 90 71 00 · Germany (+49) 421 17 87 0
Hong Kong (+852) 2548 7486 · Hungary (+36) 1 215 83 05 · Ireland (+353) 1 807 4083
Italy (+39) 0257 68061 · Japan (+81) 3 5715 1612 · Republic of Korea (+82) 2 3473 0605
Netherlands (+31) 318 55 9290 · Norway (+47) 66 77 11 55 · Poland (+48) 22 816 75 56
Portugal (+351) 21 4169 040 · Singapore (+65) 377 4512 · Slovak Republic (+421) 25 443 0701
Spain (+34) 91 659 0820 · Sweden (+46) 33 225 622 · Switzerland (+41) 44 8807 035
Taiwan (+886) 2 2502 7255 · United Kingdom (+44) 14 38 739 000 · USA (+1) 800 332 2040

Local representatives and service organisations worldwide

Brüel & Kjær

