

# PRODUCT DATA

## Piezoelectric DeltaShear<sup>®</sup> Accelerometers Uni-Gain<sup>®</sup>, DeltaTron<sup>®</sup> and Special Types

*"V" Types: 4321 V, 4370 V, 4371 V, 4375 V, 4381 V, 4382 V, 4383 V, 4384 V, 4391 V and 4393 V*

*Uni-Gain Types: 4321, 4370, 4371, 4375, 4381, 4382, 4383, 4384, 4391 and 4393*

*Uni-Gain DeltaTron Types: 4394 and 4397*

*Special Types: 4326 A, 4326 A-001, 4374, 8305, 8309, 8318 C and 5958*

### USES

- Shock and vibration measurement and analysis
- Vibration monitoring
- Modal and structural analysis
- Vibration test control
- Production and quality control

### FEATURES

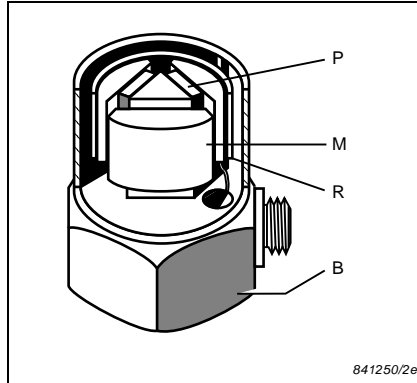
- Competitively priced DeltaShear "V" Types, especially suitable for permanent setups
- Uni-Gain types for easy interchangeability
- DeltaTron types with integral preamplifier
- Acceleration ranges cover  $20 \mu\text{ms}^{-2}$  to  $1000 \text{ km s}^{-2}$
- Frequency ranges cover from a fraction of a Hz to 60 kHz (+10% limit)
- Temperature ranges cover  $-74^\circ$  to  $+250^\circ\text{C}$  ( $-101$  to  $+482^\circ\text{F}$ )
- Low sensitivity to extraneous environmental influences including temperature fluctuations
- Low sensitivity to base bending effects
- Individual calibration supplied
- Artificially aged for long-term stability



Accelerometers

The Brüel & Kjær transducer range incorporates accelerometers suitable for most application requirements. In addition to the comprehensive range of piezoelectric accelerometers described in this Data Sheet, Brüel & Kjær supply accelerometers for heavy-duty industrial use and transducers specifically designed for special-purpose applications.

**Fig. 1**  
The unique Brüel & Kjær DeltaShear design.  
*M=Seismic Mass, P=Piezoelectric Element, B=Base and R=Clamping Ring*



The active element of Brüel & Kjær accelerometers consists of piezoelectric discs or slices loaded by seismic masses and held in position by a clamping arrangement. When the accelerometer is subjected to vibration, the combined seismic mass exerts a variable force on the piezoelectric element. Due to the piezoelectric effect, this force produces a corresponding electrical charge.

For frequencies from DC up to approximately one third of the resonance frequency of the accelerometer assembly, the acceleration of the seismic mass is equal to the acceleration of the whole transducer. Consequently, the charge produced by

the piezoelectric element is proportional to the acceleration to which the transducer is subjected.

The electrical signal output from Brüel & Kjær accelerometers is self-generated, though the types with built-in preamplifiers require an external power supply for this signal to be measured.

All the piezoelectric accelerometer types described in this Product Data sheet are supplied with an individual calibration chart and, in most cases, an individually measured frequency-response curve. Data from these charts are summarised in the Specifications.

---

## “V” and Uni-Gain Types

---

Some of the piezoelectric accelerometers described in this Product Data sheet are available both as “V” types as well as Uni-Gain types. The DeltaShear without Uni-Gain types are recognized by the “V” suffix in the type name. The only difference between these two types is that all the specifications on the calibration chart for “V” types, except the sensitivity, are typical. In contrast the sensitivity and other parameters for the Uni-Gain accelerometers are guaranteed within tight tolerances for easy interchangeability without recalibration (see specifications on pages 20 and 21). Except for the sensitivity, everything in this Product Data applies to both types.

### Uni-Gain Sensitivity

This designation indicates that the measured accelerometer sensitivity has been adjusted during manufacture to within 2% of a convenient value, for example (in 10 dB steps), 1, 3.16 or 10 pC/ms<sup>-2</sup>.

## Design and Construction

*Fig. 2  
Most  
accelerometers are  
supplied in a robust  
plastic box*



All accelerometers, except Types 4321, 4321 V and 4326, measure uniaxial acceleration. These types measure acceleration in three mutually perpendicular directions.

With the exception of Triaxial Accelerometer Type 4326, Miniature Accelerometer Type 4374, Standard Reference Accelerometer Type 8305 and Shock Accelerometer Type 8309, all piezoelectric accelerometers in this data sheet use the DeltaShear design (see Fig.1). Type 4374 uses the planar shear design, Type 8305 uses the inverted centre-mounted compression design and Type 8309 uses the centre-mounted compression design.

The piezoelectric elements of most of the accelerometers are PZ 23 lead zirconate titanate elements. The Shock Accelerometer Type 8309 has a specially formulated ferroelectric ceramic PZ 45. Miniature Accelerometer Type 4374 has a lead zirconate titanate element PZ 27.

The housing material of all the accelerometers is the same as the base material (given in the Specifications) except Type 4374, which has a nickel-chromium alloy housing.

---

## Characteristics

---

### Charge and Voltage Sensitivity

A piezoelectric accelerometer may be treated as a charge or voltage source. Its sensitivity is defined as the ratio of its output to the acceleration it is subjected to, and may be expressed in terms of charge per unit acceleration (e.g. pC/ms<sup>-2</sup>) or in terms of voltage per unit acceleration (e.g., mV/ms<sup>-2</sup>).

The sensitivities given in the individual calibration charts have been measured at 160 Hz with an acceleration of 100 ms<sup>-2</sup>. For a 99.9% confidence level, the accuracy of the factory calibration is  $\pm 2\%$  and includes the influence of the connecting cable supplied with each accelerometer. With the exception of Triaxial Accelerometers Types 4321, 4321 V, 4326 A and 4326 A-001, the direction of main axis sensitivity for these accelerometers is perpendicular to the base plane of the accelerometers. Types 4321, 4321 V, 4326 A and 4326 A-001 have three mutually perpendicular axes of sensitivity.

### DeltaShear Accelerometers

The Delta design involves three piezoelectric elements and three masses arranged in a triangular configuration around a triangular centre post, as illustrated in Fig.1. The Delta Shear design gives a high sensitivity-to-mass ratio compared to other designs, a relatively high resonance frequency and high isolation from base strains and temperature transients. The excellent overall characteristics of this design make it ideal for both general purpose accelerometers and more specialised types.

### DeltaTron Accelerometers

DeltaTron accelerometers operate on a constant-current power supply and give output signals in the form of voltage modulation on the power supply line. Types 4394 has an insulated base. All DeltaTron accelerometers are individually calibrated Uni-Gain types.

Fig. 3 Upper and lower frequency Brüel & Kjær limits (10%) and sensitivities of accelerometers. † denotes a DeltaTron type where the sensitivity is given in mV/ms<sup>-2</sup>. Frequency limits also apply to "V" types

Lower Frequency Limit	Type No.	Sensitivity pC/ms <sup>-2</sup>	Upper Frequency Limit
	4321	1 ± 2%	
	4326A 4326A-001	0.3	Y X Z
	4370, 4381	10 ± 2%	
	4371, 4384	1 ± 2%	
	4374	≅ 0.11	
	4375, 4393	0.316 ± 2%	
	4382, 4383	3.16 ± 2%	
	4391	1 ± 2%	
	4394, 4397	1 ± 2%†	
	8309	≅ 0.004	
	8318C	68 ± 10%	

Fig. 4 Example of the calibration chart supplied with Brüel & Kjær accelerometers

**Calibration Chart for DeltaTron<sup>®</sup> Accelerometer Type 4397**

Serial No.: 2102288

Reference Sensitivity<sup>1</sup> at 150.2 Hz (ω = 940 rad/s), 20 ms<sup>-2</sup> RMS, 4 mA supply current and 25 ± 2°C: 0.000 000 10 V/ms<sup>-2</sup>

Frequency Range: Amplitude is 10%; Phase is 5°  
1 Hz to 25 kHz  
4 Hz to 2.5 MHz

Mounted Resonance Frequency: 53 kHz

Transverse Sensitivity<sup>2</sup>: Maximum (at 30 Hz, 100 ms<sup>-2</sup>): 2.2% vs Reference Sensitivity  
Angle of minimum: c. 180° (bearing)

Transverse Resonance Frequency: 17 kHz

Calculated values for TSD<sup>3</sup>: Resonance frequency: 53.8 kHz  
Quality factor Q: 28.0  
Amplitude slope: -2.1%/decade  
High pass cut-off frequency: 2.842 kHz  
Low pass cut-off frequency: 38.8 kHz

Measuring Range: T < 10°C: ± 7500 ms<sup>-2</sup> peak (± 750 g peak)  
T < 125°C: ± 5000 ms<sup>-2</sup> peak (± 500 g peak)

Polarity of the electrical signal is positive for an acceleration in the direction of the arrow on the drawing.

**Electrical:**

Excitation Voltage: at 25°C and 4 mA: + 12 V ± 0.5 V at full temperature and current range; + 8 V to + 16 V

Power Supply requirements: Constant Current: T < 100°C: + 2 to + 20 mA  
T < 125°C: + 2 to + 10 mA  
Unloaded Supply Voltage: + 24 V to + 30 V

Output Impedance: = 100 Ω

Start-up Time After Overload (2 × Full Scale): < 2 s

Recovery Time After Overload (2 × Full Scale): < 20 μs

Inherent Noise (PMS): Broadband (1 Hz to 20 kHz): ± 28 μF

Apexes: corresponding to ± 0.020 ms<sup>-2</sup> (± 200 μg)  
10 Hz: 5.3x10<sup>-1</sup> ms<sup>-2</sup>/Hz (130 μg/Hz)  
100 Hz: 4.8x10<sup>-1</sup> ms<sup>-2</sup>/Hz (88 μg/Hz)  
1000 Hz: 5.3x10<sup>-1</sup> ms<sup>-2</sup>/Hz (17 μg/Hz)

Ground Loops can introduce error signals. These can be avoided by insulating the accelerometer from the mounting surface using Insulating Stud UA 1210.

Recommended cable: AD 1381

**Environmental:**

Temperature Range: - 50 to + 125°C (- 58 to + 257°F)

Temperature Coefficient of Sensitivity: + 0.04%/°C

Temp. Transient Sensitivity (3 Hz Low Lim. Freq. 0.1 Hz, 5.45 Hz): 2 ms/°C

Magnetic Sensitivity (50 Hz, 0.028 T): 10 ms/T†

Acoustic Sensitivity (154 dB SPL): 8.01 ms†

Base Strain Sensitivity (at 250 μm in base plate): 0.088 ms/μm

Max. Non-destructive Shock: Axial: 100 ms<sup>-2</sup> peak (1000 g peak)  
Transverse: 50 ms<sup>-2</sup> peak (500 g peak)

Humidity: 95% RH non-condensing

**Mechanical:**

Case Material: Titanium ASTM Grade 2

Sensing Element: Piezoelectric, Type PZ 23

Case/Shell/Bore: Delta Shell<sup>4</sup>

Sealing: N/A

Weight: 2.4 gram (0.085 oz)

Electrical Connector: Coaxial M9

Mounting Thread: M9

Mounting Surface Flatness: ± 3 μm

All dimensions in millimetres

Date: 22. Sep. 1999 Operator: MS

Specifications obtained in accordance with MSB 32.11-100 and part of ISO 1047. All values are typical at 25°C (77°F) unless otherwise stated or specifically specified.

B&K 8020-11

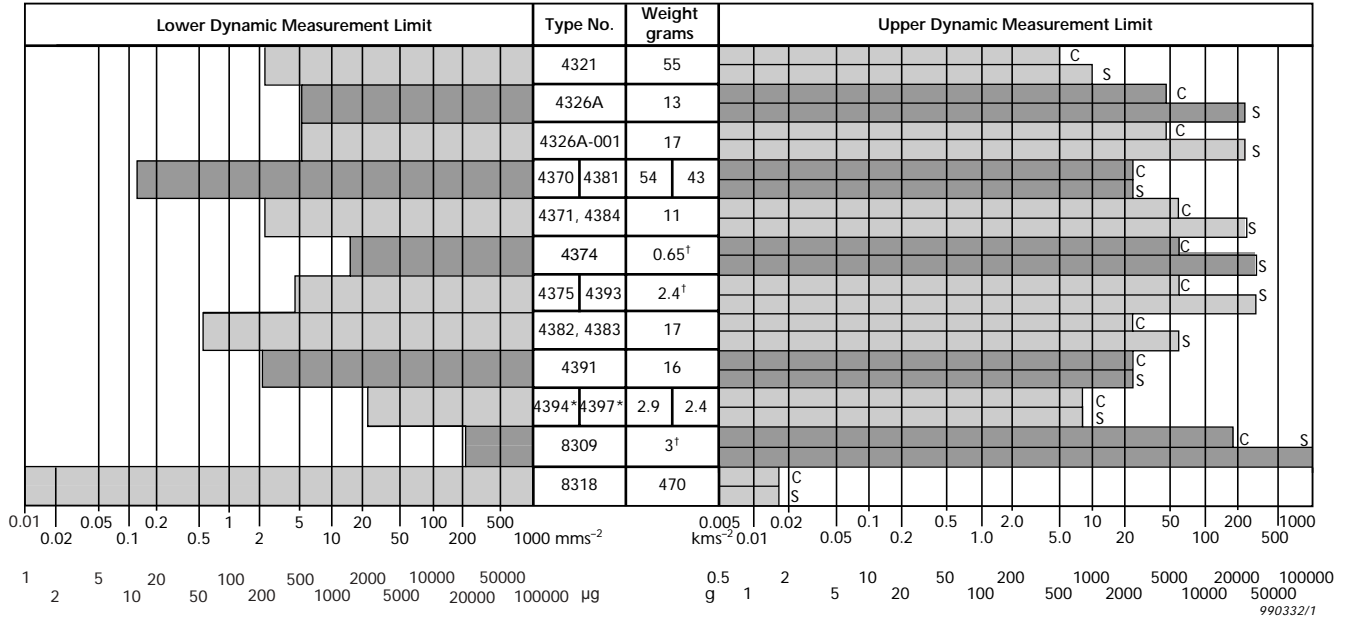
**Individual Frequency Response<sup>5</sup>**

**Typical Low-Frequency Response**

### Transverse Sensitivity

Accelerometers are slightly sensitive to acceleration normal to their main sensitivity axis. This transverse sensitivity is measured during the factory calibration process using a 30 Hz and 100 ms<sup>-2</sup> excitation, and is given as a percentage of the corresponding main axis sensitivity.

**Fig. 5** Upper and lower dynamic measurement limits and weights of the accelerometers. Maximum limits (*C* = continuous sinusoidal vibration and *S* = shock) are peak values. Minimum limits (*L* = Lin 1 Hz to individual accelerometer + 10% upper frequency limit) are RMS values. The dynamic limits are typical residual noise on either DeltaTron types or charge types plus Brüel & Kjær Conditioning Amplifier Type 2692. † denotes cable weight excluded. \* Upper limit for shock is measured in the axial direction. Limits also apply to “V” types



Most Uni-Gain DeltaShear types have an indication of the angle of minimum transverse sensitivity.

### Frequency Response

The upper frequency limits given in the specifications are calculated as 30% and 22% of the mounted resonance frequency to give errors of less than 10% and 5% respectively. These calculations assume that the accelerometer is properly fixed to the test specimen, as poor mounting can have a marked effect on the mounted resonance frequency.

The low-frequency response of an accelerometer depends primarily on the type of preamplifier used in the measurement setup. A detailed discussion of the effects of the measuring system on the low-frequency response of an accelerometer is given in the Brüel & Kjær “Piezoelectric Accelerometers and Vibration Preamplifiers Handbook”.

All the standard piezoelectric accelerometer types are supplied with an individual calibration chart. With the exception of Types 4374, 4326 A, 4326 A-001 and all V-types, all types have individually measured frequency response curves.

DeltaTron types are supplied with individual frequency curves from 5 to 10000 Hz as well as typical curves below this range.

### Transverse Resonance Frequency

Typical values for the transverse resonance frequency are obtained by vibrating the accelerometers mounted on the side of a steel or beryllium cube using Calibration Exciter Type 4290.

### Phase Response and Damping

The low damping of Brüel & Kjær accelerometers leads to the single, well-defined resonance peak plotted on the individual frequency-response curves. Brüel & Kjær accelerometers can be used at frequencies up to 30% of their mounted resonance frequency

without noticeable phase distortion being introduced. The phase response up to this frequency is  $0^\circ \pm 1^\circ$ .

### Dynamic Range

The dynamic range defines the range over which its electrical output is directly proportional to the acceleration applied to its base.

#### *Upper Limit*

In general, the smaller the accelerometer, the higher the vibration level at which it can be used. The upper limit depends on the type of vibration, and is determined by the pre-stressing of the piezoelectric element as well as by the mechanical strength of the element.

For accelerometers with built-in preamplifiers, the maximum shock and continuous vibration limits given in the Specifications are measuring limits. For transportation and handling, the maximum non-destructive shock is specified.

The maximum shock and continuous vibration limits are specified for vibration in any direction and for frequencies of up to one third of the mounted resonance frequency.

When measuring short duration transient signals, care must be taken to avoid ringing effects due to the high-frequency resonance of the accelerometer. A general rule of thumb for a half sine shock pulse to obtain amplitude errors of less than 5% is to ensure that the duration of the pulse exceeds  $10/f_R$ , where  $f_R$  is the mounted resonance frequency of the accelerometer.

#### *Lower Limit*

Theoretically, the output of a piezoelectric accelerometer is linear down to the acceleration of the seismic mass due to the thermal noise, but a practical lower limit is imposed by the noise level of the measurement system and by the environment in which measurements are made. Details concerning the selection of a suitable preamplifier, together with a discussion of environmental influences, can be found in the Brüel & Kjær "Piezoelectric Accelerometers and Vibration Preamplifiers" handbook.

### Electrical Impedance

**Fig. 6**  
Equivalent circuit diagrams for accelerometers

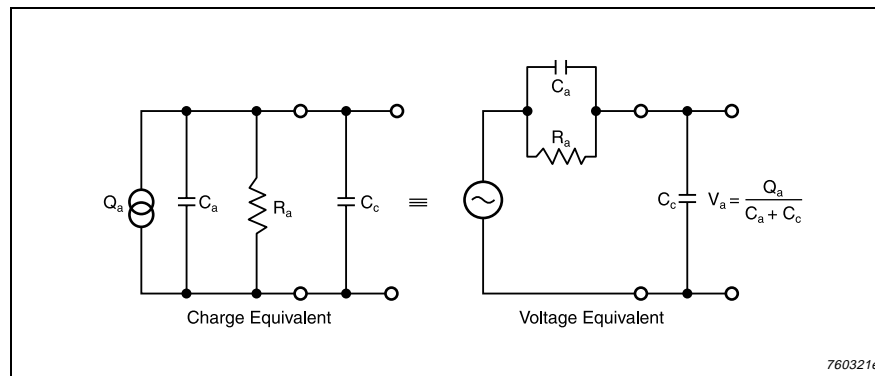


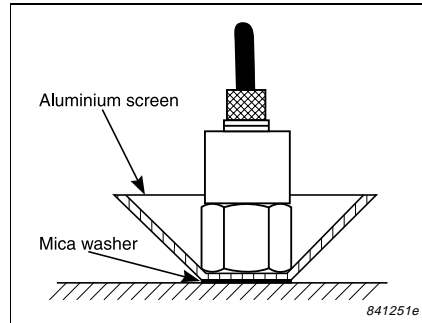
Fig. 6 shows the equivalent circuit diagram for accelerometers without built-in preamplifiers. Since the leakage resistance is very high, the accelerometers can be regarded as purely capacitive and the capacitances given in the Specifications are measured at 160 Hz.

DeltaTron accelerometers can be regarded as voltage sources, the ideal output impedance for an output source being zero. The output impedance of these accelerometers is specified as a maximum resistance in Ohms ( $\Omega$ ).

## Environmental Characteristics

### Temperature

**Fig. 7**  
Aluminium screen used as a heat shield allowing the accelerometer to be operated at high temperatures (for example, Type 4370 up to 350°C)



All Brüel & Kjær accelerometers are rated for a maximum operating temperature limit. At lower temperatures, the accelerometer piezoelectric element will exhibit temperature-dependent variations in charge and voltage sensitivity, as well as impedance. Details of these variations are given on the individual calibration chart supplied with each accelerometer (see Fig. 4).

The lower temperature limit for most accelerometers is specified as  $-74^{\circ}\text{C}$  ( $-101^{\circ}\text{F}$ ), though this does not preclude the use of the accelerometers at lower temperatures.

To make measurements on surfaces with very high temperatures, some form of cooling is needed. Fig. 7 illustrates a method using a thin, conductive plate and mica washer. For a  $250^{\circ}\text{C}$  ( $482^{\circ}\text{F}$ ) accelerometer this method allows measurements to be made on surfaces with temperatures of up to  $350^{\circ}\text{C}$  ( $662^{\circ}\text{F}$ ). With extra cooling, achieved by directing a stream of cooling air at the plate, surface temperatures of up to  $450^{\circ}\text{C}$  ( $842^{\circ}\text{F}$ ) can be tolerated.

When the insulating stud YP0150 is used to mount an accelerometer at operating temperatures greater than  $80^{\circ}\text{C}$  ( $176^{\circ}\text{F}$ ), creeping may occur, causing a reduction in the mounted resonance frequency, and a lowering of the maximum shock capability.

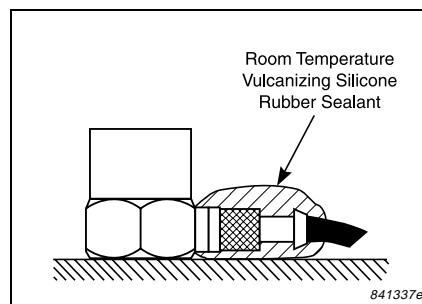
### Temperature Transients

Piezoelectric accelerometers exhibit a small sensitivity to temperature fluctuations. This effect is significant when low-frequency, low-level accelerations are being measured.

The temperature transient sensitivity is determined by attaching the accelerometer to an aluminium block with a weight approximately ten times that of the accelerometer, and immersing these in a liquid bath where the temperature difference from room temperature is approximately  $30^{\circ}\text{C}$  ( $86^{\circ}\text{F}$ ). The maximum resulting output from the accelerometer is recorded, and the sensitivity given in  $\text{ms}^{-2}/^{\circ}\text{C}$  for a specified LLF. This output will be approximately inversely proportional to the LLF.

### Humidity

**Fig. 8**  
Sealing the accelerometer output connector for operation in humid environments



Brüel & Kjær accelerometers are sealed with either a welded, or epoxy sealed housing giving a high resistance to the majority of corrosive agents found in industry. Use of moisture-imperious Teflon cables and sealing, as shown in Fig. 8, will permit use in environments where heavy condensation is likely. Suitable sealants are Dow Corning's RTV 738 or similar compounds.

### Acoustic Pressure

The acoustic sensitivity of Brüel & Kjær accelerometers is low and for most vibration measurement applications can be neglected. Normally, the acoustically induced vibra-

tion signal from the structure being measured is much greater than the signal due to the acoustic sensitivity.

The acoustic sensitivity is specified as the equivalent acceleration given by a 154 dB sound pressure level and measured in the frequency range 2 to 100 Hz.

### Nuclear Radiation

Except for types with built-in preamplifiers, all Brüel & Kjær accelerometers can be used under gamma radiation (100 Gy/h, 6 MeV) up to accumulated doses of 20 kGy (1 Gy = 100 Rad). Tests indicate that these accelerometers show less than 10% sensitivity change after such exposure. Normal types of accelerometer cable can be used, but special cables are recommended for accumulated doses exceeding 1 kGy. For greater exposure levels or for use under heavy neutron radiation, Industrial Accelerometer Type 8324 is recommended and special cables are available (see separate Product Data sheet).

### Base Strains

These may be introduced into the accelerometer by distortion of the structure being measured. To minimise base strain outputs the DeltaShear design is used. The base-strain sensitivity of Brüel & Kjær accelerometers is measured by mounting the accelerometer on a cantilever beam, and producing a strain of 250  $\mu\epsilon$  at the point of attachment. The sensitivity is calculated from the resulting output and given in  $ms^{-2}/\mu\epsilon$ .

---

## Mounting

---

Brüel & Kjær accelerometers can be mounted with their main sensitivity axis aligned in any direction.

### Recommended Mounting Technique

**Fig. 9**  
Recommended mounting technique

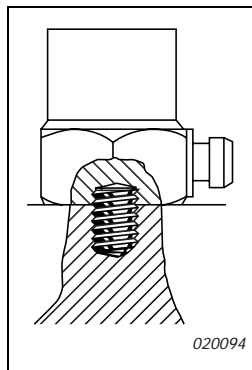
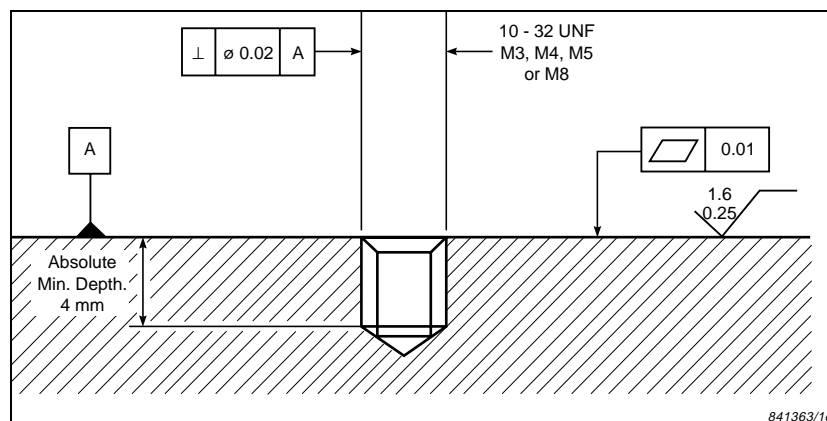


Fig. 9 shows the recommended method for mounting most of the accelerometer types. The accelerometers are screwed using a threaded steel stud onto a clean metal surface meeting the requirements specified in Fig. 10. Under normal circumstances the absolute minimum depth of 4 mm will not be sufficient to accommodate the mounting stud, but is the minimum depth required to hold a stud securely. The optimum torque for tightening 10–32 UNF steel studs is 1.8 Nm (15 lb. in.), for M3 steel studs it is 0.6 Nm (5 lb. in.) and for M8 steel studs it is 4.6 Nm (38 lb. in.).

**Fig. 10**  
Recommended tolerances for the mounting surfaces. Dimensions and symbols in accordance with ISO 1101





This mounting method is used in obtaining the specifications of all the accelerometers with the following exceptions:

- Type 4374, due to its small size, cannot be mounted using a stud. The recommended mounting technique, used to obtain the specifications, utilises a quick setting methyl cyanoacrylate cement (Brüel & Kjær no. QS 0007). The tolerances on the clean metal mounting surface shown in Fig. 10 are required.
- Type 8309 has an M5 metric screw stud as an integral part of its base. The tolerances shown in Fig. 10 apply, and the optimum torque is 1.8 Nm (15 lb. in.).

When using the recommended technique, it should also be noted that if the mounting surface is not perfectly smooth, the application of a thin layer of grease to the base of the accelerometer, before screwing it down on the mounting surface, will improve the mounting stiffness.

### Alternative Mounting Techniques

When mounting techniques other than the recommended technique are used, the accelerometer's mounted resonance frequency will probably be lowered.

**Fig. 11**  
*Alternative mounting techniques*

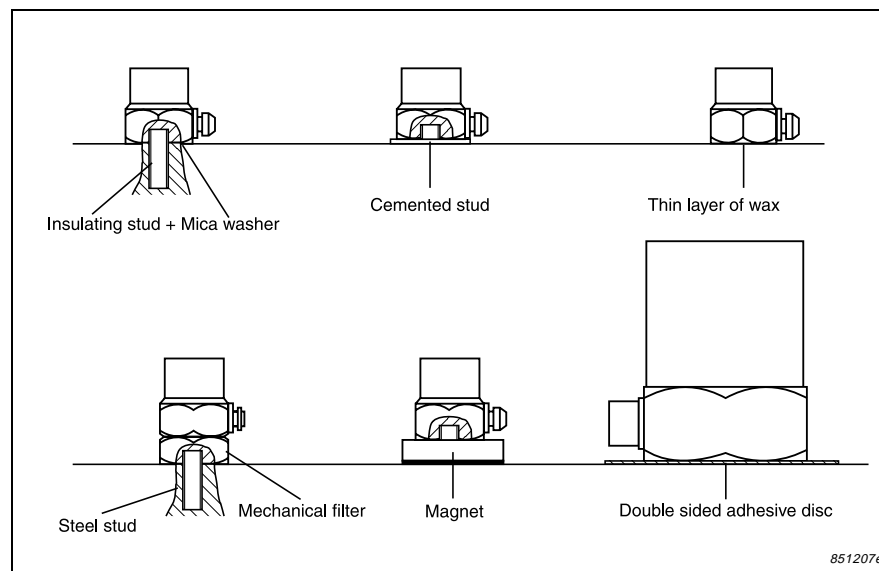


Fig. 11 shows some alternative mounting techniques. The section entitled “Standard Accessories” on page 15 lists the mounting accessories that are supplied with the individual accelerometer types. These mounting techniques are described in more detail in the Brüel & Kjær “Piezoelectric Accelerometers and Vibration Preamplifiers” handbook, where the effects of the different methods on the frequency response curve of an accelerometer are illustrated.

---

## Connecting Cables

---

A number of cables are available for the connection of accelerometers. Refer to pages 23 and 24 for an overview of the various cables and connector types.

Types 4391 and 4391 V require TNC connectors. Type 8318 C requires a TNC connector and cable; Cable AO 0268 can be used. Type 5958 is supplied in four variants:

- A: 10 m cable with BNC connector
- B: variable cable length with BNC connector
- H: 10 m cable without connector
- V: variable cable length without connector

Miniature Accelerometers Types 4374, 4375 and 4375V have integral cables, with a minimum length of 0.32 m, and miniature coaxial plugs. Furthermore, extension connectors and cable AO 0038 are supplied.

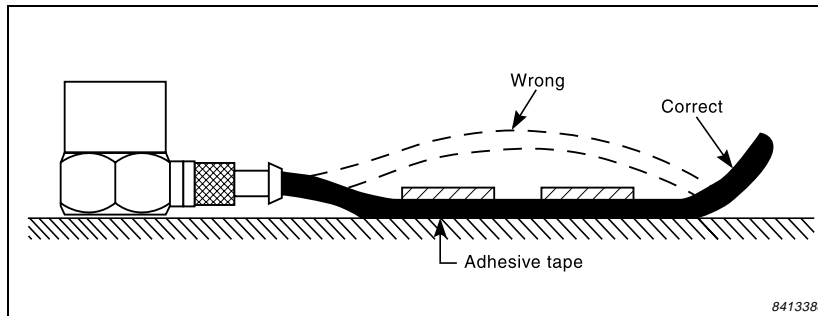
Types 4393 and 4393V require sub-miniature connectors. Type 4393 is supplied with a subminiature to miniature plug coaxial cable AO 0283.

All cables include a special noise-reduction treatment and are individually tested with regard to mechanical and electrical performance. The max. temperature rating is 260°C (500°F) except for cable AO 0268 which is rated at 85°C (185°F).

DeltaTron accelerometers are supplied with a double-screened cable to reduce the electromagnetic interference to the absolute minimum.

“Standard Accessories” on page 15 lists the cables and connectors supplied with each accelerometer. Additional cable lengths and connectors can be ordered (see “Additional Accessories Available” on page 17 and “Cables with and without Connectors” on page 24). Details of the accelerometer connections and recommended plug clearances can be found in the section entitled “Accelerometer Dimensions” on page 18.

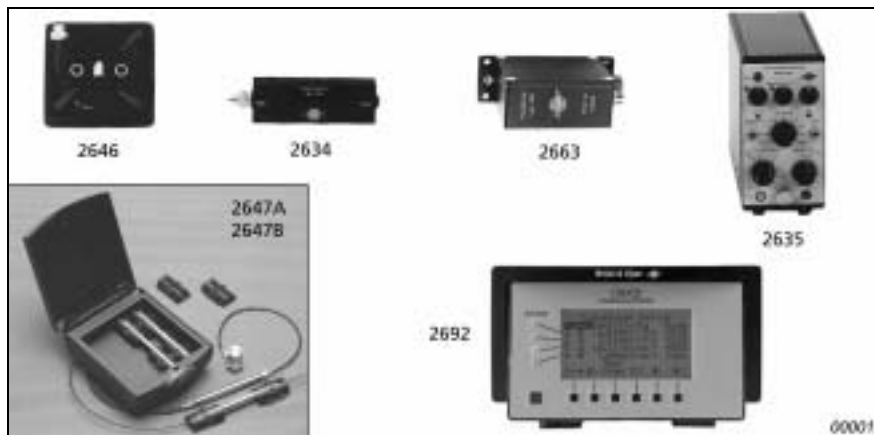
**Fig. 12**  
Securing cables



It is good practice to clamp down loose cables, as shown in Fig. 12. This also helps to reduce dynamically induced noise generated by the cables.

## Preamplifiers and Power Supplies

**Fig. 13**  
Brüel & Kjær  
vibration  
preamplifiers with  
charge input



With the exception of DeltaTron accelerometers that have built-in preamplifiers, the outputs from Brüel & Kjær charge accelerometers need to be fed through a preamplifier. Charge amplifiers are recommended, and Brüel & Kjær produce a wide selection of high-performance preamplifiers for this purpose (see Fig. 13). Details of these can be found in their respective Product Data sheets.

DeltaTron accelerometers require Single-channel DeltaTron Power Supply WB 1372 or 8-channel DeltaTron Supply Type 5963. DeltaTron Amplifier Type 2646 is a miniature charge to DeltaTron amplifier.

Using charge preamplifiers, very long connection cables can be used without altering the specified sensitivity of the accelerometer and preamplifier combination.

Since ease of calibration and measurement are usually just as important as overall gain and frequency range, most Brüel & Kjær preamplifiers have one or more of the following signal-conditioning aids:

- *Sensitivity Conditioning Networks* – Allow direct dial-in of transducer sensitivity on the preamplifier, giving unified system sensitivities.
- *Integration Networks* – Automatically convert measured acceleration to a velocity and/or displacement proportional signal.
- *High- and Low-pass Filters* – Permit selection of different lower and upper frequency limits on the preamplifier to exclude unwanted signals and the influence of the accelerometer resonance from measurements.

---

## Calibration

---

### Factory Calibration

Brüel & Kjær accelerometers are thoroughly checked and examined at all stages of manufacture and assembly. Each accelerometer undergoes an extensive calibration procedure and artificial ageing process so as to ensure completely predictable performance and stable operation. Accurate numerical details of the calibration are reported on the calibration chart supplied with each transducer (see Fig. 4).

Calibration of Brüel & Kjær Piezoelectric Accelerometers is by back-to-back comparison with a primary reference standard accelerometer calibrated at the Danish Primary Laboratory of Acoustics (DPLA), regularly checked by the American National Institute of Science and Technology (NIST), and the German Physikalisch-Technische Bundesanstalt (PTB) for traceability. The overall accuracy of the back-to-back comparison is 2% with a 99.9% confidence level (1.6% for a 99% confidence level), while for the interferometry method the accuracy is better than  $\pm 0.6\%$  with a 99% confidence level.

### Subsequent Calibration

Fig. 14  
Calibration  
instrumentation



Regular calibration of accelerometers helps maintain confidence in the measurements taken and indicates whether accelerometers have been damaged. To help users perform their own frequency response, sensitivity and system calibration, Brüel & Kjær manu-

factures the equipment shown in Fig. 14, for which separate Product Data sheets are available.

---

## Individual Brüel & Kjær Accelerometer Types

---

Dimensions and specifications for the accelerometers can be found in the tables on pages 18 and 19 of this Product Data sheet. In addition to the general features so far described, some of these accelerometers have been designed for more specialised applications, and the special features of these accelerometers are discussed below.

### Accelerometers with an Insulated Base: Types 4391 and 4391 V



4391, 4391V

Industrial Accelerometer Type 4391 V is also available as Uni-Gain Accelerometer Type 4391. The Uni-Gain version has a tolerance of  $\pm 2\%$ . Both types are suitable for most vibration measurement applications and are certified intrinsically safe to EEx ia IIA T4, T5 and T6.

The base of Types 4391/V is electrically insulated to prevent ground loops which might otherwise distort the vibration signal being measured. The accelerometers are tested at 500 V and typically show that the resistance to ground loop effects is 50 M $\Omega$ .

Connection to other instruments is made using a sturdy top mounted TNC connector. A strong, spiral-wound, mini-noise cable AO 0268 is available for use with these accelerometers.

### DeltaTron Accelerometers Types 4394 and 4397



4394



4397

DeltaTron accelerometers are constructed to the proven Brüel & Kjær DeltaShear design with the addition of an integral preamplifier. They require an external constant-current power supply and operate as voltage sources.

DeltaTron accelerometers operate over a frequency range from below 1 Hz to approximately half the resonance frequency of the accelerometer assembly. They are available in two forms, with or without an insulated base. For further details see the separate Product Data sheet.

### Triaxial Accelerometers Types 4321 and 4321 V



4321, 4321 V

These consist of three separate DeltaShear Accelerometers in a single housing which are accurately aligned so that vibration in three mutually perpendicular directions can be measured.

### Triaxial Accelerometer Types 4326 A and 4326 A-001



4326 A-001



4326 A

Types 4326 A and 4326 A-001 have three separate ThetaShear accelerometers in a miniature housing. Their size and weight make them ideal for use in confined spaces or with delicate structures. Types 4326 A and 4326 A-001 have 10-32 UNF miniature connectors made of titanium.

## High-sensitivity Accelerometer Type 8318 C



8318 C

Type 8318 C is a very high-sensitivity DeltaShear accelerometer. The sensitivity is  $68 \text{ pC/ms}^{-2} \pm 15\%$ .

The high sensitivity of this accelerometer makes it suitable for measuring very low-level vibrations over a frequency range of 0.1 Hz to 1 kHz (10% limit). With a third-octave or narrow-band filter included in the measuring arrangement, measurement of vibration levels down to  $0.00002 \text{ ms}^{-2}$  is possible. Principal applications are in vibration investigations on large structures such as buildings, bridges and ships. It is also useful for seismic work.

Connection to measuring instruments is made via a TNC connector. AO 0268, a 1.1 m long spiral TNC-to-TNC cable, can be ordered with the accelerometer. The spiral cable can stretch to approx. 4 m without being damaged.

For mounting Type 8318 C, 16 mm-long, M8 threaded steel studs are supplied with the accelerometer as standard accessories. Four self-adhesive mounting discs DU 0079 are also supplied.

## Miniature Accelerometer Type 4374



4374

This accelerometer has been designed to measure the vibration of very lightweight structures where high-level, high-frequency vibration signals are commonly encountered, and where the use of heavier transducers would alter the mode of vibration, invalidating measurements. Typical application areas are measurements on thin vibrating panels, model testing, work in confined spaces and measurement of moderately high-level shock.

Type 4374 features a planar shear construction, weighs 0.65 grams (excluding cable) and is suitable for measurement at frequencies up to 26 kHz (10% limit). The accelerometer has an integral 32 to 40 cm-long connection cable with miniature coaxial plug attached, and has a plane base for wax or cement mounting.

## Miniature Accelerometers Types 4375, 4375 V, 4393 and 4393 V



4393,  
4393V



4375,  
4375V

These accelerometers are suitable for measurements on lightweight structures where relatively high-level, high-frequency vibrations are found. The principal application areas are similar to those of Type 4374.

Types 4375, 4375 V, 4393 and 4393 V have a DeltaShear construction. Types 4375 and 4393 are Uni-Gain types. All types weigh 2.4 grams (excluding cable) and can be used for measurement of frequencies up to 16.5 kHz (10% limit).

Types 4375 and 4375 V have an integral 32 to 40 cm-long connection cable with miniature coaxial plug attached. Types 4393 and 4393 V have a sub-miniature coaxial socket for cable connection. All accelerometer types have M3 screw threads for stud mounting. Types 4375 and 4375 V are used for more permanent vibration-monitoring applications on very light structures in preference to Types 4393 and 4393 V.

## Shock Accelerometer Type 8309



8309

Accelerometer Type 8309 is especially intended for measurement of very high-level, continuous vibration and mechanical shock up to  $150 \text{ kms}^{-2}$  and  $1000 \text{ kms}^{-2}$  peak, respectively.

Type 8309 is of a particularly sturdy construction necessary for withstanding very high level continuous vibration and shock. Its PZ 45 piezoelectric element is prepared and treated to withstand very high dynamic stress with negligible problems of “zero shift”. Type 8309 has an integral 32 to 40 cm-long output cable, which gives the advantage of a reliable output connection at very high shock levels.

For rigid mounting, the base of Type 8309 has an integral M5 threaded fixing stud which is dimensioned to transmit the full motion of the test object to the piezoelectric element without distortion.

---

## What to Order

---

*Fig. 15*  
*Accelerometer set*



Uni-Gain accelerometers available from Brüel & Kjær can be supplied in the form of a **Set**. An **Accelerometer Set** (suffix S after type number) consists of a single accelerometer complete with cable and a range of accessories in a mahogany case such as shown in Fig. 15.

Accelerometer Type 8318 C is supplied only as an Accelerometer Set.

# Standard Accessories

Brüel & Kjær Part No.	Standard Accessories	4370/1 4381/2/3/4 4370V/1V 4381V/2V/ 3V/4V	4321 4321V	4326A 4326A- 001	4374	4375 4375V 4393 4393V	4391 4391V	8318-C	8309	
	S model includes accessory set (UA xxxx) in addition to standard accessories (-):	UA 0078	UA0146	-	UA1079	UA0629	UA0844	-	UA0415	
		-	-	-	-	-	-	-	-	
AO0038	260°C (500°F) Teflon® super-low-noise cable, AC 0005 (∅ 2 mm) fitted with 10–32 UNF connectors JP 0012. Length 1.2 m (4 ft)	1*	3*		1	1†			1	
AO0231	260°C (500°F) Teflon super-low-noise cable, AC 0005 fitted with one 10–32 UNF connector and one TNC connector. Length 3 m (10 ft)						1			
AO0283	260°C (500°F) Teflon super-low-noise cable, AC 0205 (∅ 1.5 mm) fitted with 10–32 UNF and M3 connectors. Length 1.2 m (4 ft)					1‡				
JJ0032	Extension connector for Brüel & Kjær cables fitted with 10–32 UNF connectors JP 0012				1	3	1†	3	1	3
JP0162	10–32 UNF to TNC connector adaptor	1	3		1	1			1	
YQ2960	10–32 UNF threaded steel stud. Length 12.7 mm	1	4	1	5			1	3	
YP0150	10–32 UNF insulated stud. Length 12.7 mm		1	1						
YQ2007	M3 threaded steel stud. Length 8 mm						2			
YQ2003	M3 threaded steel stud. Length 5 mm					1	3			
YQ9335	M8 steel stud. Length 16 mm							4		
DB0756	Cement stud 10–32 UNF. ∅ 14 mm		1	1				1		
DB0757	Cement stud M3. ∅ 8 mm						2			
UA0642	Mounting magnet and 2 insulating discs DS0553	1						1		
UA1077	Small mounting magnet and 2 insulating discs DS0786						1			
DV0456	Mounting Clip			1						
DU0079	1 × adhesive mounting disc. ∅ 40 mm							4		
YO0073	25 × adhesive mounting disc. ∅ 5.5 mm					1	1			
QS0007	Tube of cyanoacrylate adhesive					1	1			
YJ0216	Beeswax for mounting	1	1					1	1	
YO0534	Insulating mica washer ∅ 15, ∅ 5 mm	1	1							
QA0029	Tap for 10–32 UNF thread	1	1					1		
QA0041	Tap for M3 thread						1			
QA0068	Tap for M5 thread								1	
QA0141	Tap for M8 thread							1		
QA0013	Hexagonal key for 10–32 UNF studs	1	1					1		
QA0042	Hexagonal key for M3 studs						1			
QA0038	Hexagonal key for M4 studs			1						
QA0121	Hexagonal key for M8 studs							1		
YM0334	M3 nut						1			
YM0414	10–32 UNF nut	1	1							
YQ0093	M4 threaded steel screw. Length 16 mm		1	1						
YP0080 DB0544	Probe with sharp tip. 10–32 UNF Round tip	1								
	Individual calibration chart	1	1	1	1	1	1	1	1	
	Individual frequency response curve	1*	1*				1*	1		

\*Only for types with no suffix ("V", "A" types)

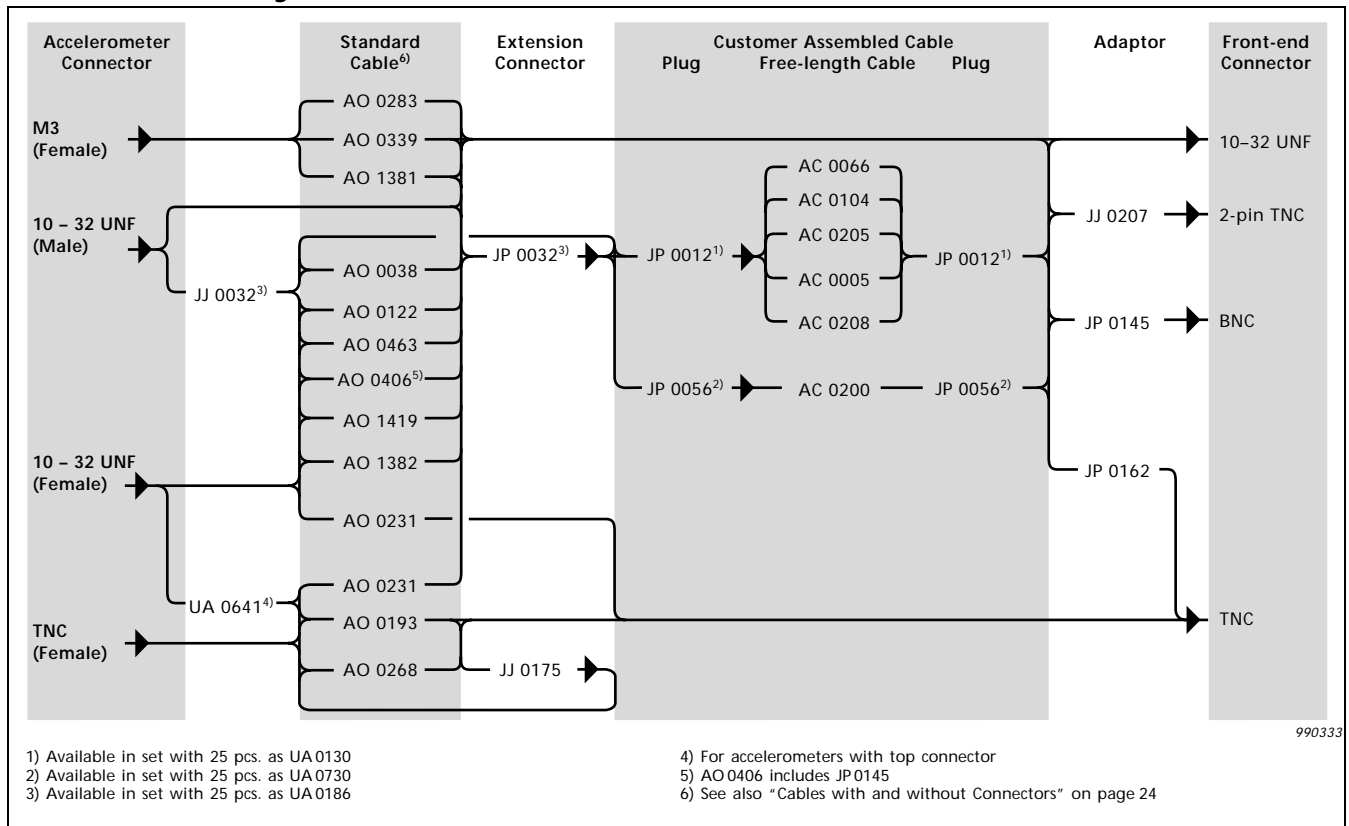
†Only Type 4375

‡Only Type 4393

# DeltaTron Accessories

Brüel & Kjær Part No.	Standard Accessories	4394		4397	
		UA1218		UA1218	
	S model includes accessory set (UA xxxx) in addition to standard accessories (-):	-		-	1
AO 1381	Teflon low-noise cable, double screened AC 0104 (∅1.6 mm). Fitted with 10-32 UNF and M3 connectors. Length 1.2m (4ft)	1		1	
JJ 0032	Extension connector for cables fitted with 10-32 UNF connectors		3		3
JP0145	10-32 UNF to BNC connector adaptor		1		1
YS8321	Steel stud M3/M3 (UA1221 is a set of 25 of these studs)	3	3	3	3
YQ 2003	Steel Stud M3, 5mm long				3
DB 0757	Cement stud M3. ∅8mm		1		1
YJ0216	Beeswax for mounting		1		1
YO 0073	25 × adhesive mounting disc. ∅5.5mm		1		1
QS0007	Tube of cyanoacrylate adhesive		1		1
QA0041	Tap for M3 thread		1		1
QA0042	Hexagonal key for M3 studs		1		1
	Individual calibration chart	1		1	
	Individual frequency response curve	1		1	

## Cable Assembly Overview

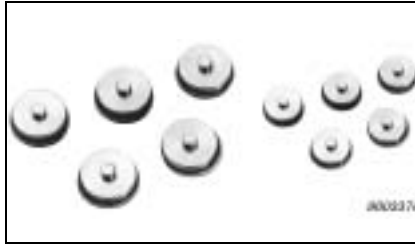




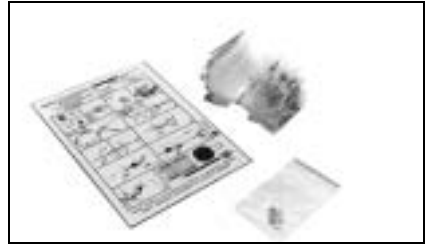
## Additional Accessories Available



**JJ0175:** Extension connector for TNC to TNC cable  
**JJ0207:** 2-pin TNC to 10-32 UNF plug adaptor  
**JP0145:** 10-32 UNF to BNC plug adaptor  
**JP0162:** 10-32 UNF to TNC plug adaptor  
**UA0641:** 10-32 UNF to BNC extension connector for accelerometers with top connector



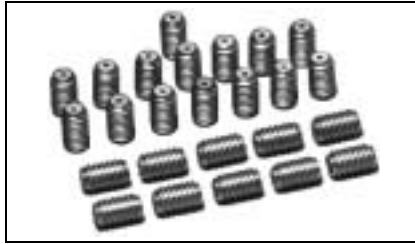
**UA0643:** Set of five 10-32 UNF mounting magnets UA0642,  $\varnothing$ 24.45 mm. Includes PTFE self adhesive discs DS0553 for electrical insulation  
**UA1075:** Set of five UA1077, M3  $\varnothing$ 10.2 mm. Includes PTFE self adhesive discs DS0786 for electrical insulation



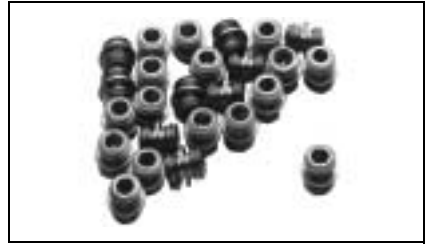
**UA0130:** Set of 25 plugs JP0012 for cable AC0104 and AC0005  
**UA0730:** Set of 25 plugs JP0056 for cable AC0200. For mounting the plugs, the assembly tool QA0035 is required



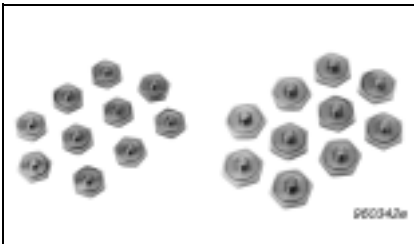
**QA0035:** Assembly tool for mounting miniature plugs on accelerometer cables



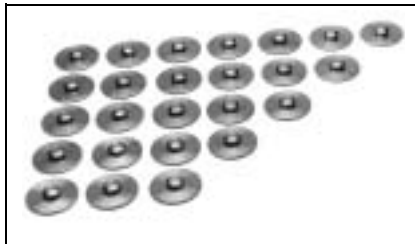
**UA0186:** Set of 25 extension connectors JJ0032 for miniature cables with plugs JP0012 and JP0056



**UA1221:** Set of 25 M3/M3 steel studs YS8321



**UA1192:** Set of 10 10-32 UNF/10-32 UNF insulating studs UA1215  
**UA1193:** Set of 10 M3/M3 insulating studs UA1216



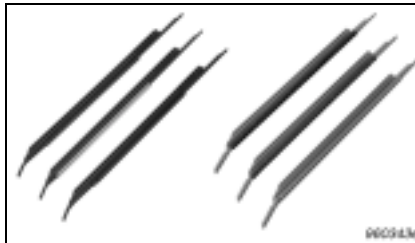
**UA0866:** Set of 25 10-32 UNF cement studs DB0756  
**UA0867:** Set of 25 M3 cement studs DB0757



**UA0125:** Set of 10 insulating studs YP0150, 10 steel studs YQ2960, 10 nuts YM0414, 10 mica washers YO0534 plus 10-32 UNF tap and hexagonal key for 10-32 UNF studs



**UA0553:** Set of 5 electrically insulated Mechanical Filters UA0559, plus a tommy bar for mounting. Also available with M3 thread as WA0224 (only 1 piece.)



**UA1243:** 3x30 red/green/yellow cable markers for AC0205/AC0104  
**UA1244:** 3x30 red/green/yellow cable markers for AC0005/AC0208



**BB0694:** Piezoelectric Accelerometers and Vibration Preamplifiers, Theory and Application Handbook



**UA1408:** Set of 100 Mounting Clips  
**UA1473:** Set of 100 Swivel Bases  
**UA1474:** Set of 100 Mounting Clips with thick base  
**UA1563:** Set of 5 High-temperature Mounting Clips



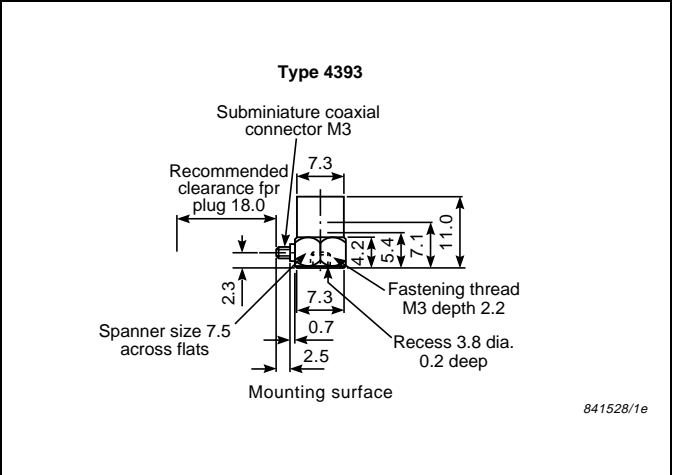
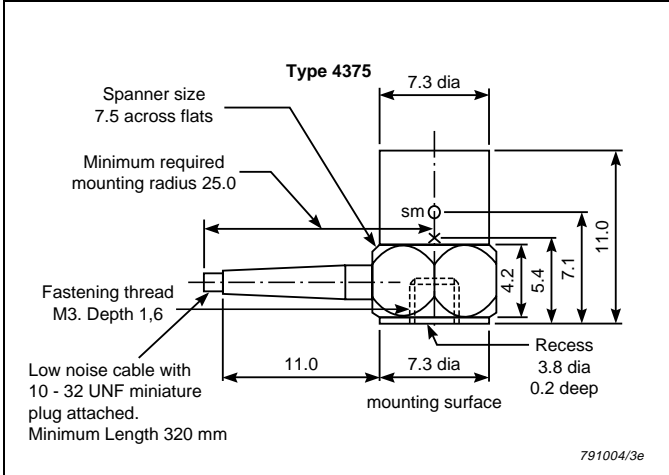
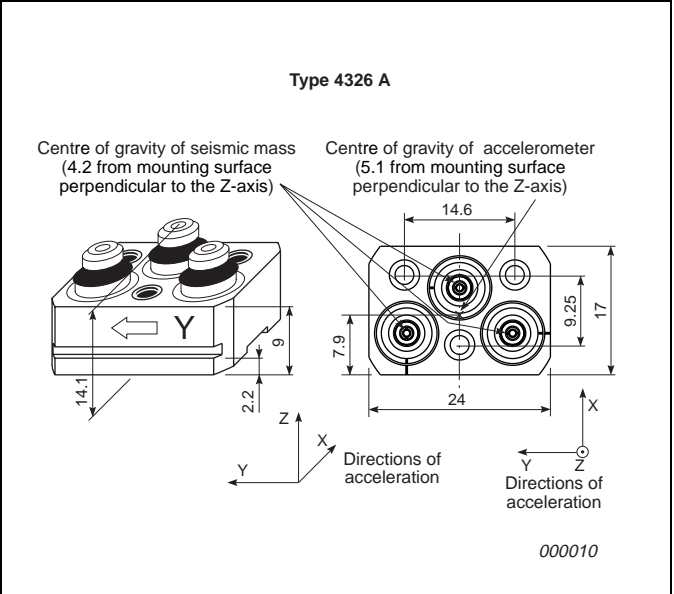
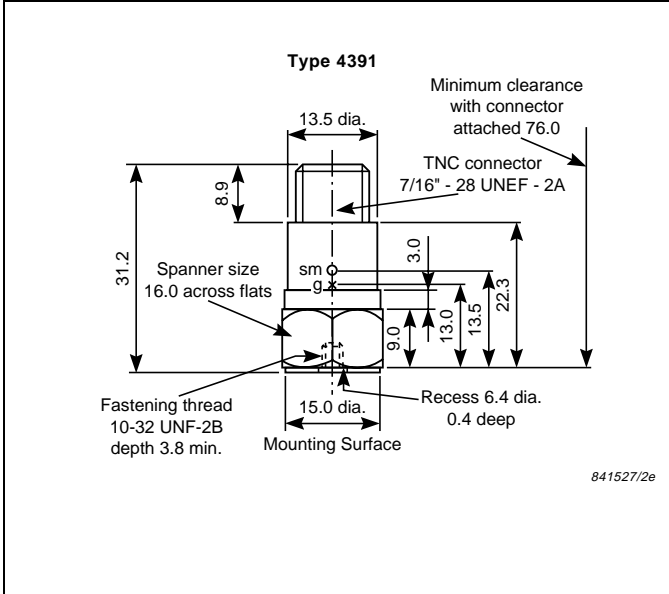
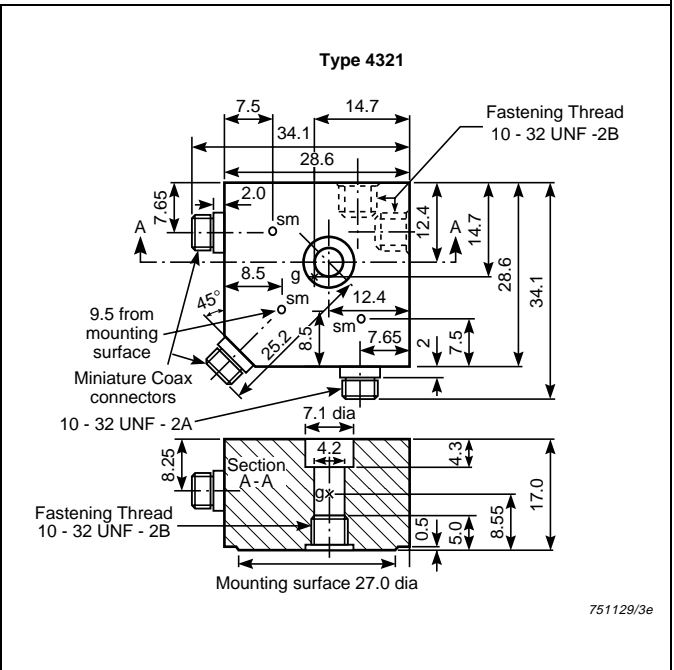
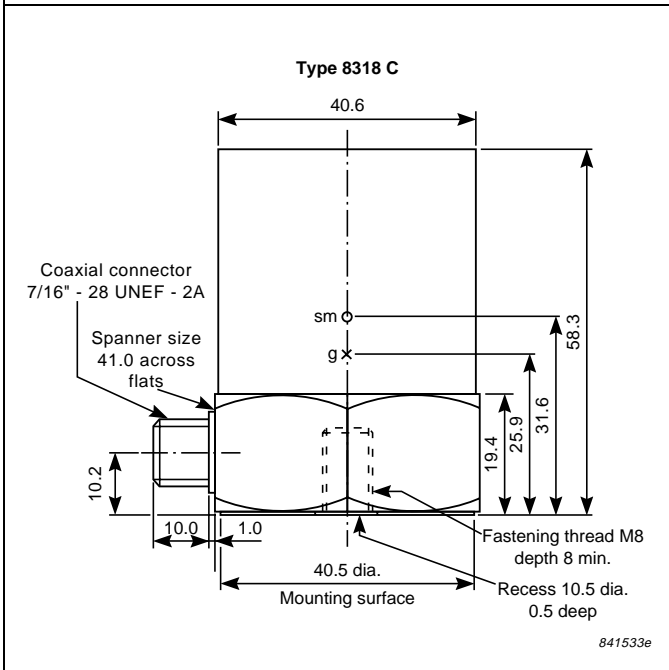
**DV0460:** Calibration Clip



**UA1480:** Spirit-Level for UA1473

# Accelerometer Dimensions

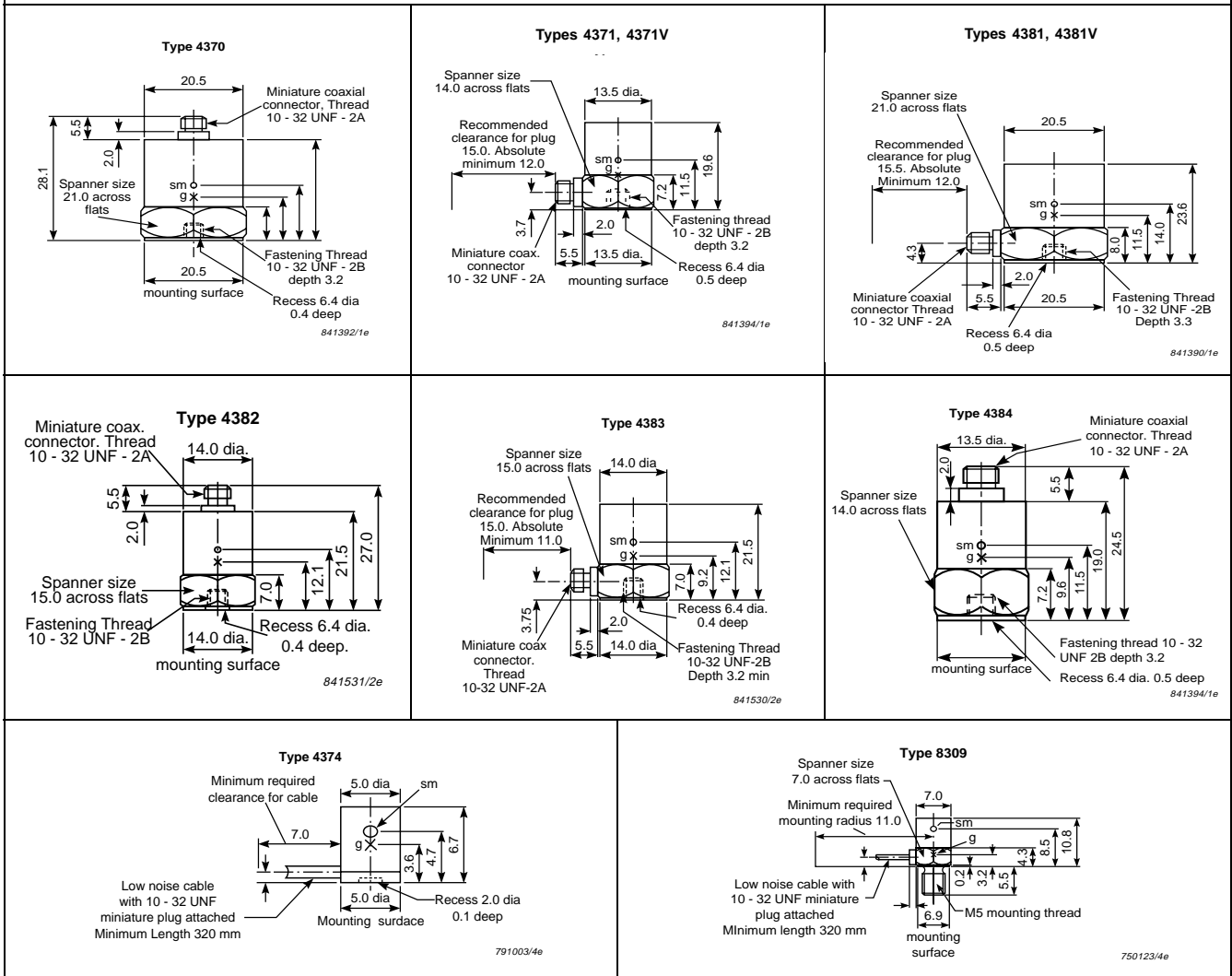
All dimensions in mm



Centre of gravity: "o" seismic mass — "x" whole assembly

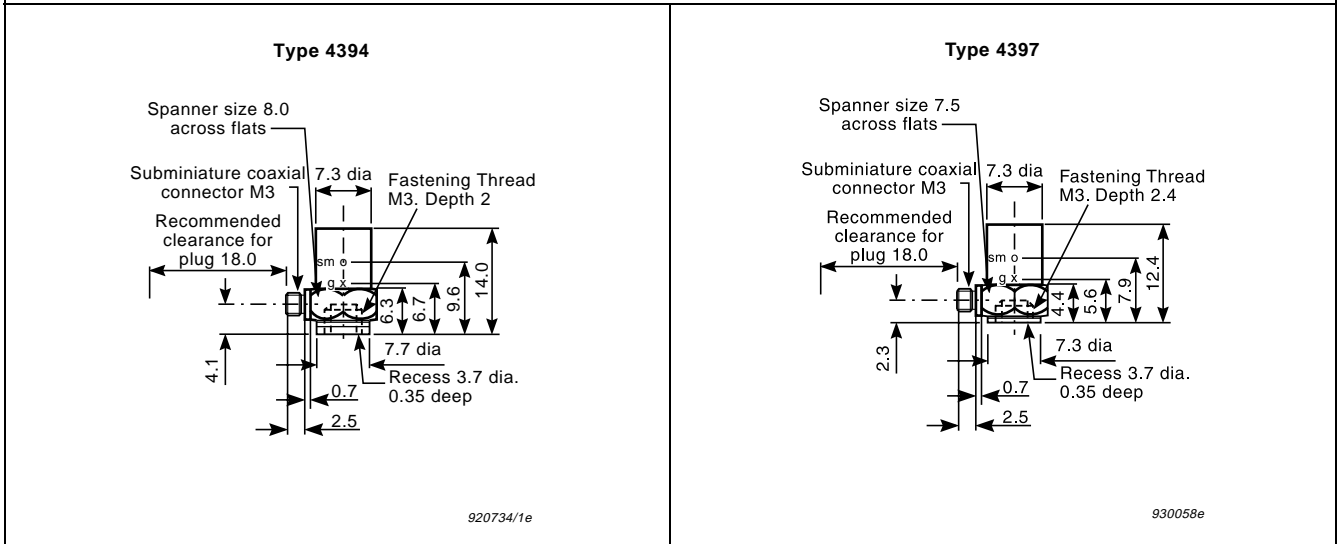
# Accelerometer Dimensions

All dimensions in mm



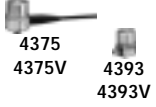




# DeltaTron Accelerometer Dimensions

All dimensions in mm



Centre of gravity: "o" seismic mass — "x" whole assembly

# Specifications<sup>1</sup>

		 4375 4375V    4393 4393V	 4384 4384V    4371 4371V	 4391 4391V	 4382 4382V    4383 4383V	 4370 4370V    4381 4381V	
Weight	grams	2.4 <sup>10</sup>	11	16	17	54	43
Charge Sensitivity for Uni-Gain-DeltaShear types <sup>2, 5</sup>	pC/ms <sup>-2</sup>	0.316 ±2%	1 ±2%	1 ±2%	3.16 ±2%	10 ±2%	
	pC/g	3.1 ±2%	9.8 ±2%	9.8 ±2%	31 ±2%	98 ±2%	
Voltage Sensitivity for Uni-Gain-DeltaShear types <sup>5</sup>	mV/ms <sup>-2</sup>	0.48	0.8	0.8	2.6	8	
	mV/g	4.8	8	8	26	80	
Charge Sensitivity for DeltaShear "V" types	pC/ms <sup>-2</sup>	0.316 ±15%	1 ±15%	1 ±15%	3.16 ±15%	10 ±15%	
	pC/g	3.1 ±15%	9.8 ±15%	9.8 ±15%	31 ±15%	98 ±15%	
Voltage Sensitivity for DeltaShear "V" types	mV/ms <sup>-2</sup>	0.5	0.8	0.8	2.6	8	
	mV/g	5	8	8	26	80	
Mounted Resonance <sup>5, 6</sup>	kHz	55	42	40	28	16	
Frequency Range <sup>5, 6, 9</sup>	5% Hz	0.2 – 12 000	0.2 – 9100	0.2 – 8700	0.2 – 6100	0.2 – 3500	
	10% Hz	0.1 – 16 500	0.1 – 12 600	0.1 – 12 000 <sup>4</sup>	0.1 – 8400	0.1 – 4800	
Capacitance <sup>5, 7</sup>	pF	650	1200	1200	1200	1200	
Max. Transverse Sensitivity <sup>1, 5, 8</sup>	%	<4	<4	<4	<4	<4	
Transverse Resonance	kHz	18	15	12	10	4	
Piezoelectric Material		PZ 23	PZ 23	PZ 23	PZ 23	PZ 23	
Construction		DeltaShear	DeltaShear	DeltaShear	DeltaShear	DeltaShear	
Base Strain Sensitivity (in base plane at 250 με)	ms <sup>-2</sup> /με	0.005	0.02	0.005	0.01	0.003	
	g/με	0.0005	0.002	0.0005	0.001	0.0003	
Temperature Transient Sensitivity (3Hz LLF, 20dB/decade)	ms <sup>-2</sup> /°C	5	0.4	0.2	0.1	0.02	0.04
	g/°F	0.28	0.022	0.011	0.0056	0.0011	0.0022
Magnetic Sensitivity (50Hz – 0.03 T)	ms <sup>-2</sup> /T	30	4	4	1	1	
	g/kGauss	0.3	0.04	0.04	0.01	0.01	
Acoustic Sensitivity Equiv. Acc. at 154 dB SPL (2 – 100 Hz)	ms <sup>-2</sup>	0.04	0.01	0.01	0.002	0.001	
	g	0.004	0.001	0.001	0.0002	0.0001	
Min. Leakage Resistance at 20°C	GΩ	20	20	20	20	20	
Ambient Temperature Range	°C	-74 to 250	-74 to 250	-60 to 180	-74 to 250	-74 to 250	
Max. Operational Shock (±Peak)	kms <sup>-2</sup>	250	200	20	50	20	
	g	25000	20000	2000	5000	2000	
Max. Operational Continuous Sinusoidal Acceleration (Peak)	kms <sup>-2</sup>	50	60	20	20	20	
	g	5000	6000	2000	2000	2000	
Max. Acceleration (Peak) with mounting magnet	kms <sup>-2</sup>	-	1.5	1.2	1.2	0.6	
	g	-	150	120	120	60	
Base Material		Titanium ASTM Gr. 2	Titanium ASTM Gr. 2	Titanium ASTM Gr. 2	Titanium ASTM Gr. 2	Steel AISI316	Titanium ASTM Gr. 2

<sup>1</sup> Data obtained in accordance with ANSI S2. 11-69 and ISO/DIS 5347

<sup>2</sup> Uni-Gain measured sensitivity adjusted to ±2%

<sup>3</sup> Built-in Line-drive preamplifier. Sensitivity in μA/ms<sup>-2</sup>

<sup>4</sup> Local resonances of up to ±1.5 dB permitted

<sup>5</sup> Individual specifications given on the calibration chart for Uni-Gain types


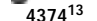



<sup>6</sup> Individual curves not supplied with 4375, 4393, 4374, 4321 and 8309 or DeltaShear® "V" types

<sup>7</sup> With cable supplied as standard accessory, or integral cable

<sup>8</sup> Axis of minimum transverse sensitivity indicated for Uni-Gain types (except 4321, 4374, 8309)

<sup>9</sup> The low frequency cut-off is determined by the preamplifier and environmental conditions

# Specifications<sup>1</sup>

		 8318 C	 4374 <sup>13</sup>	 4321 4321V	 4326 A 4326 A-001	 8309
Weight	grams	470	0.65 <sup>10</sup>	55	13/17	3 <sup>10</sup>
Charge Sensitivity for Uni-Gain-DeltaShear <sup>®</sup> types <sup>2, 5</sup>	pC/ms <sup>-2</sup>	-	-	1 ±2%	-	-
	pC/g	-	-	9.8 ±2%	-	-
Voltage Sensitivity for Uni-Gain-DeltaShear <sup>®</sup> types <sup>5</sup>	mV/ms <sup>-2</sup>	-	-	0.8	-	-
	mV/g	-	-	8	-	-
Charge Sensitivity for DeltaShear "V" types	pC/ms <sup>-2</sup>	68 ±15%	0.11	1 ±15%	0.3	0.004
	pC/g	666 ±15%	1.1	9.8 ±15%	3	0.04
Voltage Sensitivity for DeltaShear "V" types	mV/ms <sup>-2</sup>	-	0.18	0.8	-	0.04
	mV/g	-	1.8	8	-	0.4
Mounted Resonance <sup>5, 6</sup>	kHz	6.5	85	40	> 20	180
Frequency Range <sup>5, 6, 9</sup>	5% Hz	10% 0.1 - 1000	1 - 18 500	0.2 - 8700 <sup>11</sup>	-	1- 39 000
	10% Hz	3dB 0.06 - 1250	1 - 26 000	0.1- 12 000 <sup>11</sup>	1 Hz to X: 9, Y: 8, Z: 16 kHz	1 - 54 000
Capacitance <sup>5, 7</sup>	pF	-	600	1200	1000	100
Max. Transverse Sensitivity <sup>1, 5, 8</sup>	%	<5	<5	<4	<5	<5
Transverse Resonance	kHz	1.6	21	14	> 20	28
Piezoelectric Material		PZ 23	PZ 27	PZ 23	PZ 23	PZ 45
Construction		DeltaShear	Planar Shear	DeltaShear	ThetaShear	CentreMount.C ompression
Base Strain Sensitivity (in base plane at 250 µε)	ms <sup>-2</sup> /µε	0.0003	0.005	0.02	0.01/0.005 <sup>14</sup>	2
	g/µε	0.000 03	0.0005	0.002	0.001/0.0005 <sup>14</sup>	0.2
Temperature Transient Sensitivity (3Hz LLF, 20dB/decade)	ms <sup>-2</sup> /°C	0.0001	10	0.4	0.3	400
	g/°F	0.000 005 6	0.56	0.022	0.017	22
Magnetic Sensitivity (50 Hz - 0.03 T)	ms <sup>-2</sup> /T	1	30	4	5	20
	g/kGauss	0.01	0.3	0.04	0.05	0.2
Acoustic Sensitivity Equiv. Acc. at 154 dB SPL (2 - 100 Hz)	ms <sup>-2</sup>	0.001	0.1	0.01	-	4
	g	0.0001	0.01	0.001	-	0.4
Min. Leakage Resistance at 20 °C	GΩ	-	20	20	20	20
Ambient Temperature Range	°C	-50 to 150	-74 to 250	-74 to 250	-55 to 175/230	-74 to 180
Max. Operational Shock (±Peak)	kms <sup>-2</sup>	2.5	250	10	30	1000
	g	250	25 000	1000	3000	100 000
Max. Operational Continuous Sinusoidal Acceleration (Peak)	kms <sup>-2</sup>	2.5	50	5	-	150
	g	250	5000	500	-	15 000
Max. Acceleration (Peak) with mounting magnet	kms <sup>-2</sup>	-	-	0.6	-	-
	g	-	-	60	-	-
Base Material		Stainless Steel AISI303	Beryllium <sup>12</sup>	Titanium ASTM Gr. 2	Al/Ti case Ti sockets	Stainless Steel AISI316

<sup>10</sup> Excluding cable



<sup>11</sup> The transverse resonance frequency may limit the useful frequency range further

<sup>12</sup> Toxic hazard in finely divided form

<sup>13</sup> 4374 Pat. USA 4211951, DK 138768 and GB 1522785. DeltaShear Pat. DK 1314014374 Pat. USA 4211951, DK 138768 and GB 1522785. DeltaShear Pat. DK 131401

<sup>14</sup> Mounted on adhesive tape 0.1 mm thick



# Specifications DeltaTron Accelerometers

		 	
		4394	4397
Sensitivity (axial) at 159.2 Hz, 100 ms <sup>-2</sup> (10.2g), 25°C (77°F), 4 mA		mV/ms <sup>-2</sup> (g)	1.00 (9.807) ±2%
Measuring Range (peak)	temperature <100°C (212°F)	ms <sup>-2</sup> (g)	±7500 (765)
	temperature <125°C (257°F)	ms <sup>-2</sup> (g)	±5000 (510)
Frequency Range (±10%)		Hz	1 to 25000
Maximum Transverse Response		%	< 4
Constant Current Supply	temperature <100°C (212°F)	mA	+2 to +20
	temperature <125°C (257°F)	mA	+2 to +10
Supply Voltage, unloaded	for full specification	V DC	+24 to +30
	minimum (reduced specification)	V DC	+18
Output Impedance		Ω	<100
Bias Voltage	at 25°C (77°F), 4 mA	V	12 ±0.5
	full temperature and current range	V	8 to 15
Residual Noise	from 1 to 22000 Hz	μV	<25
	equivalent acceleration	ms <sup>-2</sup> (g)	<0.025 (0.0026)
Polarity (acceleration directed from base into body)			Positive
Recovery time from Overload (2 × maximum level)		μs	<20
Maximum Non-destructive Shock (peak)	Axial	ms <sup>-2</sup> (g)	100000 (10200)
	Transverse	ms <sup>-2</sup> (g)	50000 (5100)
Temperature Range		°C (°F)	-50 to +125 (-58 to +257)
Humidity			Welded, sealed
Temperature Transient Sensitivity		ms <sup>-2</sup> /°C	2
		g/°F	0.11
Magnetic Sensitivity (50 Hz, 0.038 T)		ms <sup>-2</sup> (g)/T	10 (1)
Acoustic Sensitivity (154 dB SPL)		ms <sup>-2</sup> (g)	0.01 (0.001)
Construction			DeltaShear
Piezoelectric Material			PZ 23
Case Material	Titanium		ASTM Gr. 2
Connector	Coaxial		M3 miniature
Mounting Thread	Tapped centre hole		M3
Mounting Torque		Nm (lb.in)	0.2 to 0.6 (1.8 to 5.3)
Mounted Resonance Frequency		kHz	52
Transverse Resonance Frequency		kHz	15
Case Insulation to Ground		MΩ	>10
Base Strain Sensitivity		ms <sup>-2</sup> (g)/μϵ	0.005 (0.0005)
Weight		gram (oz.)	2.9 (0.10)
Height		mm (in)	14.0 (0.55)
Spanner Size		mm (in)	8.0 (0.31)

## Specifications for Cables for use with Standard Accelerometers

	AC 0005	AC 0066	AC 0104	AC 0200	AC 0205	AC 0208
Temperature (°C)	-75 to +250	-75 to +250	-50 to +100	-75 to +250	-75 to +250	Moveable: -5 to +70 Fixed: -20 to +70
Noise	Super low noise	Low noise	Low noise	Super low noise	Super low noise	-
Insulator material/Coating	PTFE/PFA	PTFE/PFA	PTFE/PFA	PTFE/PFA	PTFE/PFA	PE/PVC
Screen	Single	Single	Double	Double	Single	Single
Capacitance (pF/m)	106	95	105	95	100	100
Dimension (mm)	Ø 2.0	Ø 1.0	Ø 1.6	Ø 3.2	Ø 1.5	Ø 2.0
10-32 plug for self-mounting	JP 0012	JP 0012	JP 0012	JP 0056	JP 0012	JP 0012

## Specifications for Reference and Underwater Accelerometers

		 8305	 5958 <sup>2</sup>
Weight	grams	40	44 (with 0.15 m cable)
Charge Sensitivity for DeltaShear "V" types	pC/ms <sup>-2</sup>	0.12 <sup>17</sup>	-
	pC/g	1.2 <sup>17</sup>	-
Voltage Sensitivity	mV/ms <sup>-2</sup>	-	1 ± 5% <sup>4</sup>
	mV/g	-	9.8 ± 5% <sup>4</sup>
Mounted Resonance	kHz	30 (with 20 g load) <sup>17</sup>	> 45
Frequency Range <sup>20</sup>	Hz	0.2 – 3100 (1%) <sup>17</sup> , 0.2 – 4400 (2%) <sup>17</sup>	0.3 – 11 000 (10%)
Capacitance <sup>18</sup>	pF	180	-
Max. Transverse Sensitivity	%	< 2 <sup>17, 19</sup>	< 4
Transverse Resonance	kHz	-	14
Piezoelectric Material		Quartz	PZ 23
Construction		Inverted Centre-mounted Comp.	DeltaShear
Base Strain Sensitivity <sup>15</sup> (in base plane at 250 µε)	ms <sup>-2</sup> /µε	Top: 0.01 Base: 0.003	0.01
	g/µε	Top: 0.001 Base: 0.0003	0.001
Temperature Transient Sensitivity <sup>15</sup> (3Hz LLF, 20dB/decade)	ms <sup>-2</sup> /°C	0.5	1
	g/°F	0.028	0.056
Magnetic Sensitivity <sup>15</sup> (50 Hz – 0.03 T)	ms <sup>-2</sup> /T	1	7
	g/kGauss	0.01	0.07
Acoustic Sensitivity <sup>15</sup> Equiv. Acc. at 154 dB SPL (2 – 100 Hz)	ms <sup>-2</sup>	0.008	0.01
	g	0.0008	0.001
Min. Leakage Resistance at 20°C	GΩ	1000 (10 at 200°C)	-
Ambient Temperature Range	°C	-74 to +200	-50 to +100
Max. Operational Shock (±Peak) <sup>15</sup>	kms <sup>-2</sup>	10	20 (axial)
	g	1000	2000 (axial)
Max. Operational Continuous Sinusoidal Acceleration (Peak)	kms <sup>-2</sup>	10	-
	g	1000	-
Max. Acceleration (Peak) with mounting magnet	kms <sup>-2</sup>	1	-
	g	100	-
Base Material		Stainless Steel AISI316	Stainless AISI904L

15 Data obtained in accordance with ANSI S2. 11-69 and ISO/DIS 5347

16 Available in four variants:

A: 10 m integral cable with BNC connectors B: variable cable length with BNC connectors  
H: 10 m cable integral cable – open-ended V: variable cable length – open-ended

17 Individual specifications given on the calibration chart

18 With cable supplied as standard accessory

19 Axis of minimum transverse sensitivity indicated

20 The low-frequency cut-off is determined by the preamplifier and environmental conditions

# Cables with and without Connectors

Free-length Cable		Connector Type	Order No.	
Type	Length (m)			
AC 0005	3	10-32 UNF/TNC	AO 0231	
	1.2	TNC/TNC	AO 0193	
	1.2	10-32 UNF/10-32 UNF	AO 0038	
	3	10-32 UNF/10-32 UNF	AO 038F	
	5	10-32 UNF/10-32 UNF	AO 0038G	
	10	10-32 UNF/10-32 UNF	AO 0038H	
	30	10-32 UNF/10-32 UNF	AO 0038K	
	x	10-32 UNF/10-32 UNF	AO 0038V-AC 0005-x	
	30		AC 0005K	
	50		AC 0005L	
	100		AC 0005M	
	200		AC 0005N	
	AC 0200	3	10-32 UNF/10-32 UNF	AO 0122
		5	10-32 UNF/10-32 UNF	AO 0122G
10		10-32 UNF/10-32 UNF	AO 0122H	
30		10-32 UNF/10-32 UNF	AO 0122K	
x		10-32 UNF/10-32 UNF	AO 0122V-AC 0200-x	
30			AC 0200K	
100			AC 0200M	
200			AC 0200N	
AC 0104	1.2	M3/10-32 UNF	AO 1381	
	1.2	10-32 UNF/10-32 UNF	AO 1382	
	3	10-32 UNF/10-32 UNF	AO 1382F	
	5	10-32 UNF/10-32 UNF	AO 1382G	
	5	10-32 UNF/10-32 UNF*	AO 0406	
	10	10-32 UNF/10-32 UNF	AO 1382H	
	30	10-32 UNF/10-32 UNF	AO 1382K	
	x	10-32 UNF/10-32 UNF	AO 1382V-AC 0104-x	
	30		AC 0104K	
	100		AC 0104M	

\*Includes 10-32 UNF/BNC Adaptor JP 0415

Free-length Cable		Connector Type	Order No.
Type	Length (m)		
AC 0208	1.2	10-32 UNF/10-32 UNF	AO 0463
	3	10-32 UNF/10-32 UNF	AO 0463F
	5	10-32 UNF/10-32 UNF	AO 0463G
	10	10-32 UNF/10-32 UNF	AO 0463H
	30	10-32 UNF/10-32 UNF	AO 0463K
	x	10-32 UNF/10-32 UNF	AO 0463V-AC 0208-x
	200		AC 0208N
	AC 0205	1.2	M3/10-32 UNF
3		M3/10-32 UNF	AO 0283F
5		M3/10-32 UNF	AO 0283G
10		M3/10-32 UNF	AO 0283H
30		M3/10-32 UNF	AO 0283K
x		M3/10-32 UNF	AO 0283V-AC 0205-x
30			AC 0205K
AC 0066	1.2	10-32 UNF/10-32 UNF	AO 1419
	1.2	M3/10-32 UNF	AO 0339
	x	M3/10-32 UNF	AO 0339V-AC 0066-x
	30		AO 0066K
Spiral	1.1 - 4	TNC-TNC	AO 0268

Brüel & Kjær reserves the right to change specifications and accessories without notice