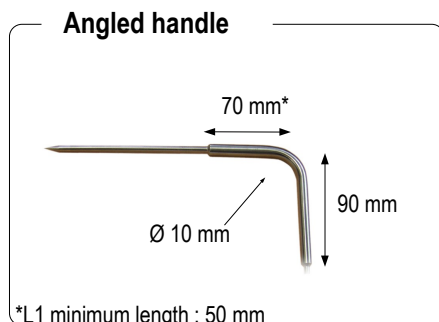
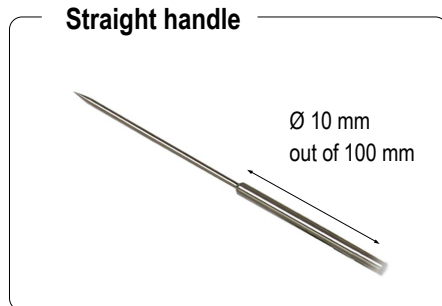


**Thermocouple temperature probe with handle to prick**

**SFPP K / SFPPC K  
SFPPD K / SFPPCD K**

■ **Probe features**

- Pricking temperature probe mounted on straight or angled handle
- Thermocouple types T, J, K and N.
- Measuring range **from -40°C to +550°C**



■ **Technical features**

**Working temperature**.....from -40°C to +105°C for shielded PVC output  
from -40°C to +260°C for TB output  
from -40°C to +400°C for SVB output  
from -40°C to +550°C for SVB (Tc K only) output

**Accuracy\* for classe 1**.....See "Tolerances"

**Mounting of welding**.....Insulated hot welding

**Storage temperature**.....from -20°C to +80°C

**Output** .....stripped wires, miniature male connector or standard on request.

**Mounting of cable output**.....Output on cable or with stainless steel flexible 7 mmØ .  
Water-resistant flexible on request as option.  
Curve spring as option (unless stainless steel flexible output)

**Contact tip**.....4.5 or 6 mm Ø in 316 L stainless steel

Tapered tip

Handle : **Straight** 10 mm Ø and 100 mm length

**Angled** at 90° and 90 mm length

Other on request.

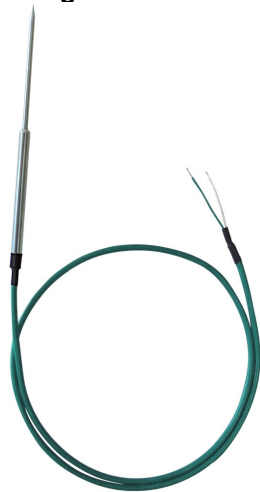
**Water-resistant as option for use in wet or submerged places.**

\* Performed in laboratory conditions, the above accuracies mentioned in this document will be guaranteed, provided that you use the calibration compensation data or identical calibration conditions.

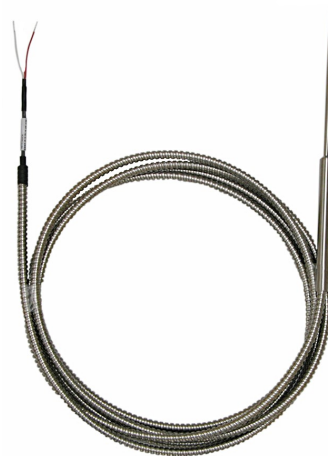
# SFPPK & SFPPKD

## Pricking cable probe with handle

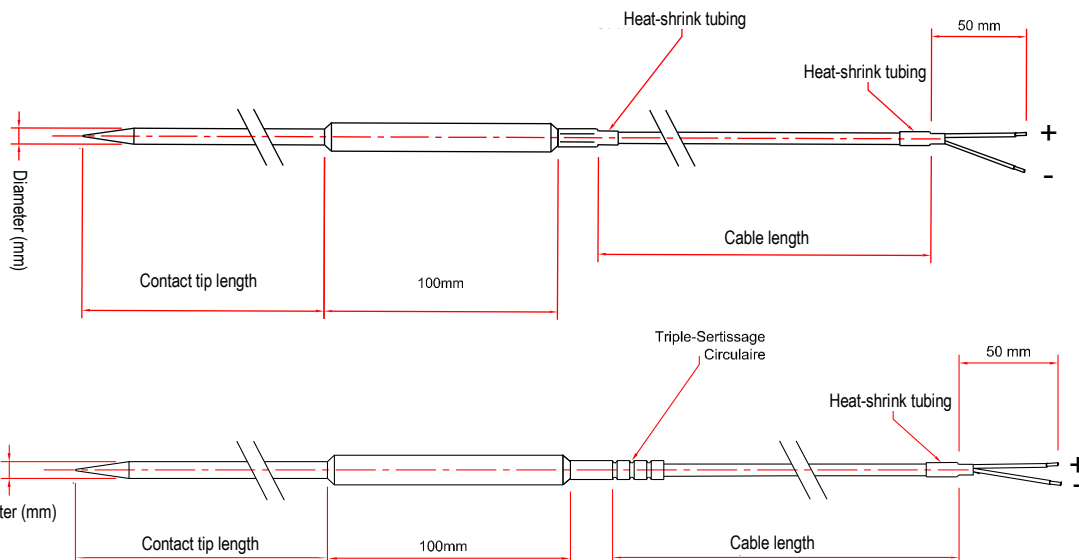
• Probe with straight handle on cable



• Probe with straight handle on flexible

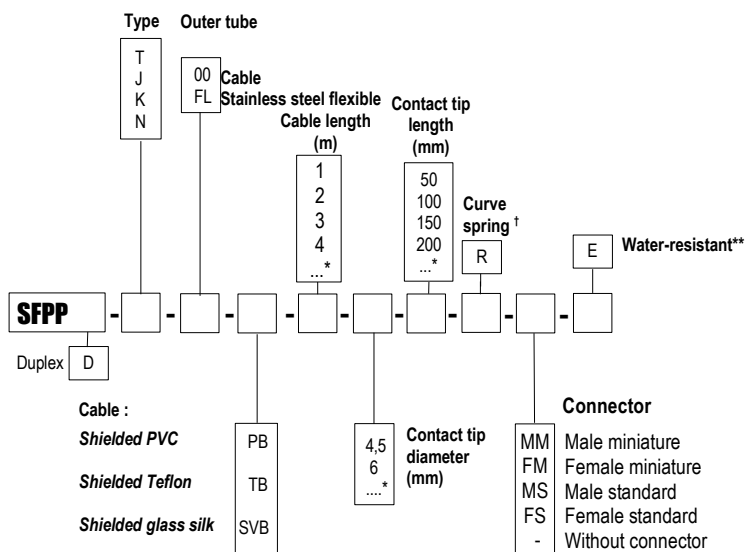


### ■ Dimensions



Optional :  
water-resistant

### ■ Part numbers



Example : SFPPK-00-TB-1-45-100-MM

Model : Thermocouple type K temperature probe, Outer tube in shielded Teflon cable of 1 m length. Stainless steel contact tip 4,5 mm Ø, to prick with straight handle of 100 mm length, without curve spring. **Measuring range from -40 to +105°C.**

\* Other dimension on request

† No curve spring on flexible output FL

\*\* E for submerged use according to use rules

# SFPPCK & SFPPCKD

Pricking cable probe with angled handle

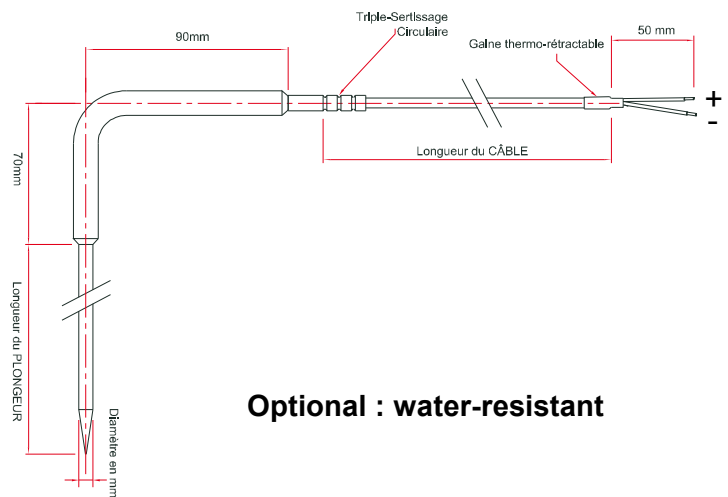
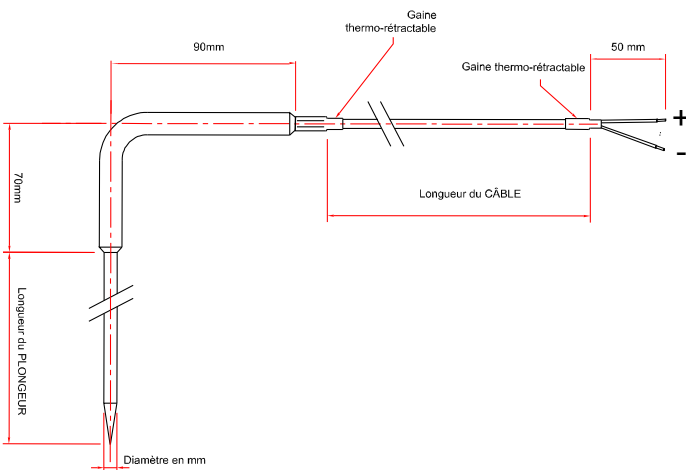
• Probe with angles handle on cable



• Probe with angled handle on flexible

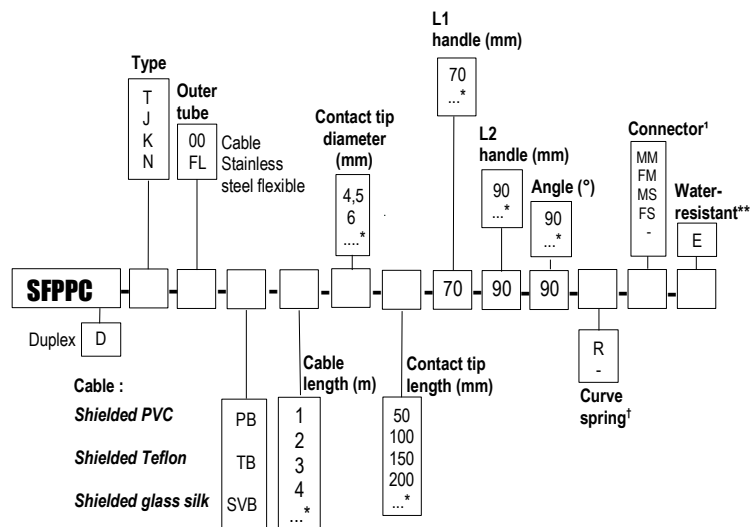


## Dimensions



Optional : water-resistant

## Part numbers



Example : SFPPCK-00-TB-1-45-100-70-90-90-R-MM

Model : Thermocouple type K temperature probe, outer tube in shielded Teflon cable of 1 m length with male miniature connector. Stainless steel contact tip 4,5 mm Ø and 100 mm length to prick with angled handle of L1 length 70mm and L2 length 90 mm, angle of the handle at 90°, with curve spring.

Measuring range from -40 to +105°C.

\* Other dimension on request

† No curve spring on flexible output FL

\*\* E for submerged use according to use rules

¹ MM: Male miniature  
FM: Female miniature  
MS: Male standard  
FS: Female standard  
-: Without connector

## Tolerances\* of the probe

As per IEC 584-3 norm

TC	MEASURING RANGE CLASS 1	TOLERANCE
T	From -40°C to +350°C	From -40°C to +125°C $\pm 0.5^\circ\text{C}$ From 125°C to +350°C $\pm 0.004 \times T^\circ\text{abs}$
J	From -40°C to +750°C	From -40°C to +375°C $\pm 1.5^\circ\text{C}$ From 375°C to 750°C $\pm 0.004 \times T^\circ\text{abs}$
K	From -40°C to +1000°C	From -40°C to +375°C $\pm 1.5^\circ\text{C}$ From 375°C to 1000°C $\pm 0.004 \times T^\circ\text{abs}$
N	From -40°C to +1000°C	From -40°C to +375°C $\pm 1.5^\circ\text{C}$ From 375°C to 1000°C $\pm 0.004 \times T^\circ\text{abs}$

\* Performed in laboratory conditions, the above accuracies mentioned in this document will be guaranteed, provided that you use the calibration compensation data or identical calibration conditions.

## Most common thermocouple types

THERMOCOUPLE TYPE	+ CONDUCTOR	- CONDUCTOR	COLOR OF COMPENSATING CABLE
K	Nickel-Chrome 10%	Nickel-Aluminium 5% -Silicium	Ext. color + = GREEN, - = WHITE
T	Copper	Copper-Nickel	Ext. color + = BROWN, - = WHITE
J	Iron	Copper-Nickel	Ext. color + = BLACK, - = WHITE
N	Nickel 84,4% Chromium 14,2% Silicium 1,4%	Nickel 95,6% Silicium 4,4%	Ext. color + = PINK, - = WHITE
R	Platinum-Rhodium 13%	Platinum	Ext. color + = ORANGE, - = WHITE
S	Platinum-Rhodium 10%	Platinum	Ext. color + = ORANGE, - = WHITE
B	Platinum-Rhodium 30%	Platinum-Rhodium 6%	Ext. color + = GREY, - = WHITE

## Accessories (See data sheet)

- Extension cable
- Compensating cable
- Standard or miniature connector
- Cable seal for plug and socket connector
- Miniature or standard connectors panel
- Miniature or standard connectors panel
- Extension lead
- Converters



[www.kimo.fr](http://www.kimo.fr)

Distributed by :



EXPORT DEPARTMENT

Tel : + 33. 1. 60. 06. 69. 25 - Fax : + 33. 1. 60. 06. 69. 29

e-mail : [export@kimo.fr](mailto:export@kimo.fr)