



Series PNC720

General Purpose Compression Pancake Load Cell



Description

The Series PNC720 load cells are low profile “pancake” designs for compression force applications. These load cells incorporate an integral spherical load button with welded dual diaphragms for improved accuracy and rigidity. The PNC720 series is constructed of all welded stainless steel for very demanding application environments. Bolted-on or welded-on stainless steel electrical connectors are standard. Hermetically sealed connectors are also available providing for a fully hermetic load cell. Additional features include shock and vibration protection and barometric compensation. Each unit is shipped with a 5 point calibration record traceable to NIST as standard.

Standard Features

- 0.10% Accuracy
- Low Profile Design
- Compression Loading
- 3 mV/V output
- All Welded Stainless Steel
- Shock and Vibration Resistant
- -65°F to +250°F Standard Operating Temperature
- Barometrically Compensated
- 5 Point Calibration Record Traceable to NIST

Optional Features

- Customer Specified Electrical Termination
- Metric Versions
- Overload Stops
- Special Calibrations
- Internal Amplifier for High Level Analog and/or Digital Output
- Dual/Triple Bridges
- Submersible Versions to 30,000 ft. Seawater
- - 320°F to 400°F Operating Temperature

Performance

Standard Ranges

100 lbs. FSO to 120,000 lbs. FSO. (see table)

Output

3 mV/V \pm 0.50% FSO.

Linearity

0.10% FSO.

Hysteresis

0.08% FSO.

Repeatability

0.03% FSO..

Temperature Effect on Zero

0.002% FSO/°F.

Temperature Effect on Span

0.002% Reading/°F.

Zero Balance

1% FSO.

Environmental Characteristics

Operating Temperature Range

-65°F to 250°F.
(-320°F to 400°F optional.)

Compensated Temperature Range

70°F to 170°F.

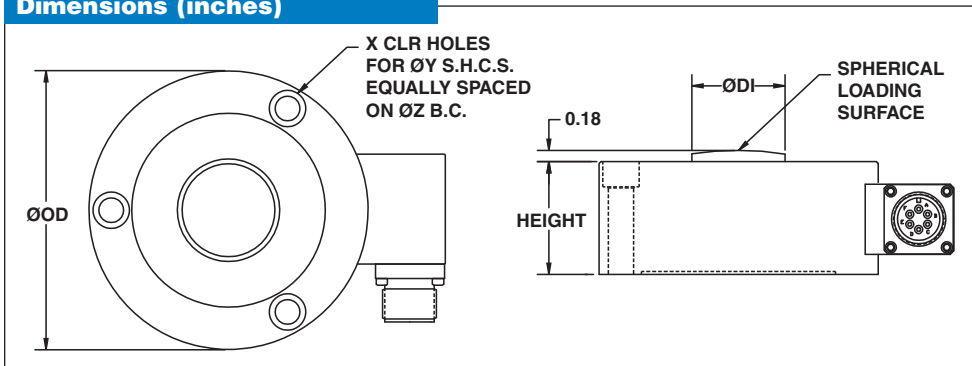
PNC720

Your Application-Solution SourceSM

Series PNC720 Specifications

Baseline Configuration Specs Represented.
Modifications Encouraged - See Below
Custom Designs Available

Dimensions (inches)



Capacity (lbs.)	$\varnothing OD$	Height	X	Y	Z	D1
100, 250, 500, 1000	3.00	1.00	6	1/4	2.250	0.56
2K, 3K, 5K	3.50	1.00	6	5/16	2.625	0.66
10K, 20K, 30K, 50K, 75K, 100K, 120K	4.50	1.82	3	3/8	3.790	1.50

Mechanical Characteristics

Static Overload Without Damage
150% FSO.

Calibration

Standard calibration is 5 pts (0, 50%, 100%, 50%, 0) compression.

Material

Welded stainless steel.

Electrical Characteristics

Bridge Resistance

350 Ohms nominal.

Excitation

10 Vdc or Vac.

Insulation Resistance

Greater than 5000 megaohms at 50 Vdc.

Electrical Termination

Ranges Up To 5000 lbs.

PTIH-10-6P Stainless Steel Connector or equivalent.

Ranges Over 5000 lbs.

MS3102-14S-6P Stainless Steel Connector.
(MIL-C-5015 with glass to metal seals)

Electrical Characteristics

Connector Pins (Standard)

A +EXE D - EXE
B +EXE E - SIG
C - EXE F +SIG

Customer specified wiring codes are available.



Notes, Modifications, Warranty

NOTES: When using a load cell the user must consider load ratings and fatigue life for long term use and structural integrity. Critical loading applications, especially overhead loading, must always be designed with safety redundant load paths. MODIFICATIONS: We realize load cell applications vary greatly and as such our designs are flexible. Specifications subject to change without notice.

WARRANTY: Stellar Technology warrants that its product shall be free from defective workmanship and/or material for a twelve month period from the date of shipment, provided that Stellar Technology's obligation hereunder shall be limited to correcting any defective material FOB our factory. No allowance will be made for any expenses incurred for correcting any defective workmanship and/or material without written consent by Stellar Technology. This warranty is in lieu of all other warranties expressed or implied.

Find More Information at:
stellartech.com

Due to the nature of technology, changes are inevitable. For latest technical specifications, see our website.