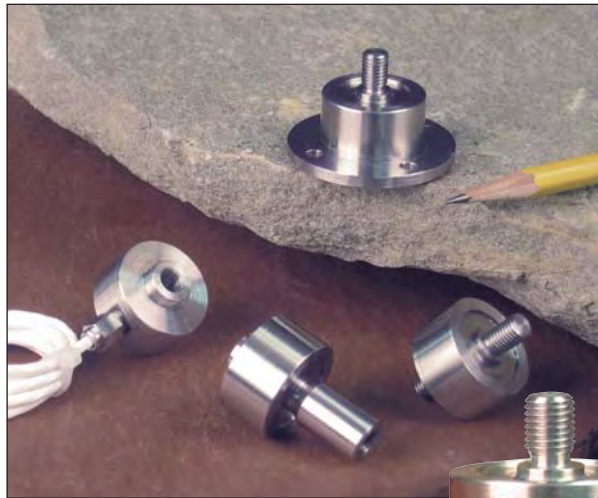




# Series MIN800

Miniature Tension and Compression Load Cell



Select ranges in stock.



Shown Actual Size

## Description

The Series MIN800 load cells are compact-sized for both tension and compression applications. Constructed of all welded stainless steel, these miniature load cells are designed to minimize the effects of off-axis loading. The MIN800 force sensors come in a variety of mounting configurations with active male threads as standard. Features include shock and vibration protection. MIN800 load cells are ideal for applications in factory automation, robotics, cable and fabric testing, and pneumatic and hydraulic controls. Each unit is shipped with repeatability data and a 5 point calibration record traceable to NIST as standard. (See MIN811 for 0.15% model)

## Standard Features

- 0.25% Accuracy
- Small Size
- Tension and Compression
- 2 mV/V
- All Welded Stainless Steel
- -65°F to 250°F Standard Operating Temperature
- Shock and Vibration Resistant
- 5 Point Calibration Record Traceable to NIST

## Optional Features

- Multiple Mounting Configurations
- Metric Versions
- Special Calibration
- Customer Specified Cable Lengths
- Female Threads, Custom Interface

## Performance

### Standard Ranges

(Ranges in Bold Type are available in stock)  
**100, 250, 500, 1000 lbs.**

### Output

2mV/V nominal.

### Accuracy

0.25% BFSL.

### Temperature Effect on Zero

0.005% FSO/°F.

### Temperature Effect on Span

0.005% Reading/°F.

### Zero Balance

3% FSO.

## Environmental Characteristics

### Operating Temperature Range

-65°F to 250°F.  
(-65°F to 400°F optional.)

### Compensated Temperature Range

70°F to 170°F.  
(-65°F to 400°F optional.)

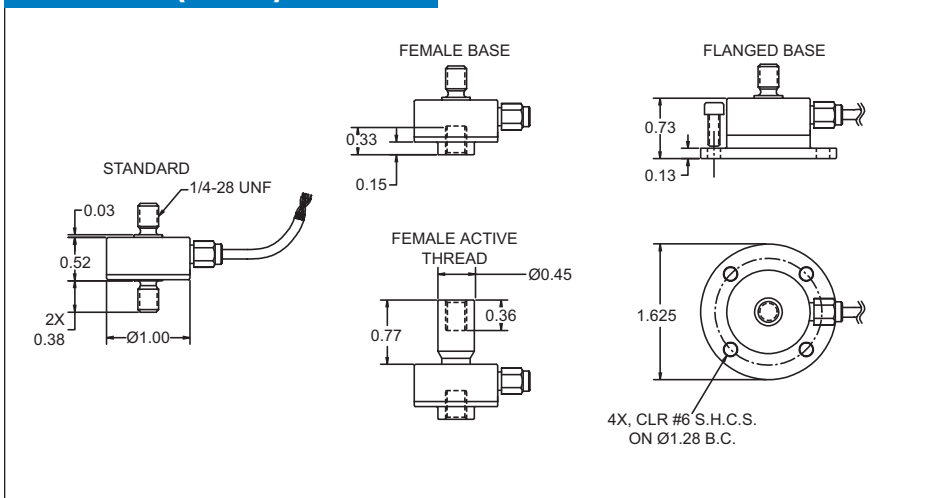
MIN800

Your Application-Solution Source<sup>SM</sup>

# Series MIN800 Specifications

Baseline Configuration Specs Represented.  
Modifications Encouraged - See Below  
Custom Designs Available

## Dimensions (inches)



## Mechanical Characteristics

**Static Overload Without Damage**  
150% FSO.

### Standard Calibration

**Tension only:**

5 points (0, 50%, 100%, 50%, 0 of FSO).

### Optional Calibrations

- **Compression only:**

5 points (No charge option)

- **Tension and Compression:**

5 points in each direction

- **Special multipoint calibration (customer specified):**

in tension or compression or both tension and compression.

### Material

Welded stainless steel.

### Threads

1/4-28 UNF Male (Both Ends).

## Electrical Characteristics

### Bridge Resistance

350 Ohms nominal.

### Excitation

10 Vdc or Vac.

### Insulation Resistance

Greater than 5000 megaohms at 50 Vdc.

### Electrical Termination

10', 4 Conductor Shielded Teflon Cable.

## Electrical Characteristics

### Connector Pins (Standard)

RED	+EXE	GREEN	- SIG
BLACK	- EXE	WHITE	+SIG

Customer specified wiring codes are available.



NOTES: When using a load cell the user must consider load ratings and fatigue life for long term use and structural integrity. Critical loading applications, especially overhead loading, must always be designed with safety redundant load paths. MODIFICATIONS: We realize load cell applications vary greatly and as such our designs are flexible. Specifications subject to change without notice.

WARRANTY: Stellar Technology warrants that its product shall be free from defective workmanship and/or material for a twelve month period from the date of shipment, provided that Stellar Technology's obligation hereunder shall be limited to correcting any defective material FOB our factory. No allowance will be made for any expenses incurred for correcting any defective workmanship and/or material without written consent by Stellar Technology. This warranty is in lieu of all other warranties expressed or implied.

Find More Information at:  
[stellartech.com](http://stellartech.com)

Due to the nature of technology, changes are inevitable. For latest technical specifications, see our website.

237 Commerce Drive • Amherst, NY 14228 • USA

**Tel:** 716.250.1900 • **Fax:** 716.250.1909

**Email:** info@stellartech.com