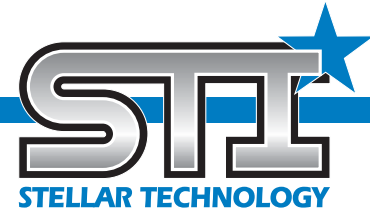




Scan here to retain
for future reference.



Series MIN845

Compression Load Washer Load Cells



Description

The Series MIN845 compression load cells are low profile load washers. The miniature thru-hole configurations are often used for measuring tension on fasteners. Constructed of stainless steel, these bonded foil strain gage force sensors are available in a wide selection of both standard and special outside diameters and inside diameters. All MIN845 load cells are supplied with a set of top and bottom washers to ensure even loading and to protect the load cell from fastener inconsistencies. These mv/v output load washers can be used with Stellar Technology's selection of in-line and DIN rail mount signal conditioners to provide current or voltage outputs.

Each unit is shipped with a 5 point calibration record traceable to NIST as standard.

Standard Features

- 2.0% Accuracy (BFSL)
- Very Low Profile
- High Capacity (2500 lbs. to 125,000 lbs.)
- Compression Force
- 2 mV/V Nominal
- All Stainless Steel Construction
- Supplied With Machined Washers (Top and Bottom)
- -40°F to 250°F Standard Temperature
- Shock and Vibration Resistant
- 5 Point Calibration Record Traceable to NIST

Optional Features

- Custom Sizes
- Metric Versions
- Special Calibration
- Custom Cable Lengths
- Operating Temperature to 400°F

Performance

Standard Ranges

2500 to 125,000 lbs. (See table).

Output

2mV/V nominal.

Accuracy

2.0% BFSL.

Temperature Effect on Zero

0.005% FSO/°F.

Temperature Effect on Span

0.005% Reading/°F.

Zero Balance

1% FSO.

Environmental Characteristics

Operating Temperature Range

-40°F to 250°F.

(-65°F to 400°F optional.)

Compensated Temperature Range

70°F to 170°F.

(-65°F to 400°F optional.)

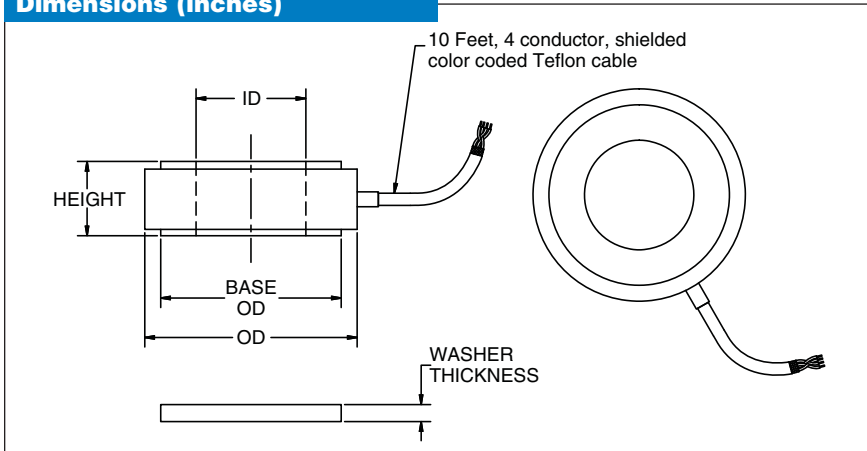
MIN845

Your Application-Solution SourceSM

Series MIN845 Specifications

Baseline Configuration Specs Represented.
Modifications Encouraged - See Below
Custom Designs Available

Dimensions (inches)



Load Cell Dimensions (Inches)

Range (LBS)	Bolt Size	ID	Height	OD	Base OD	Washer Thickness
2500	#10	0.192	0.350	1.00	0.345	0.040
4000	1/4	0.262	0.350	1.00	0.400	0.060
7000	5/16	0.326	0.350	1.00	0.520	0.060
10,000	3/8	0.390	0.350	1.00	0.620	0.060
14,000	7/16	0.454	0.350	1.13	0.725	0.060
20,000	1/2	0.517	0.350	1.13	0.850	0.080
30,000	5/8	0.644	0.350	1.38	1.040	0.080
45,000	3/4	0.770	0.375	1.63	1.200	0.095
60,000	7/8	0.897	0.500	1.88	0.490	0.095
80,000	1.00	1.024	0.500	2.13	1.790	0.095
125,000	1.25	1.279	0.625	2.50	2.140	0.125

Mechanical Characteristics

Static Overload Without Damage
150% FSO.

Calibration

Standard calibration is 5 pts (0, 50%, 100%, 50%, 0) compression.

Material

Welded stainless steel.

Electrical Characteristics

Bridge Resistance

350 Ohms nominal.

Excitation

10 Vdc or Vac.

Insulation Resistance

Greater than 5000 megaohms at 50 Vdc.

Electrical Termination

10', 4 Conductor Shielded Teflon Cable.

Electrical Characteristics

Connector Pins (Standard)

RED +EXE GREEN - SIG
BLACK - EXE WHITE +SIG

Customer specified wiring codes are available.

Notes, Modifications, Warranty

NOTES: When using a load cell the user must consider load ratings and fatigue life for long term use and structural integrity. Critical loading applications, especially overhead loading, must always be designed with safety redundant load paths. MODIFICATIONS: We realize load cell applications vary greatly and as such our designs are flexible. Specifications subject to change without notice.

WARRANTY: Stellar Technology warrants that its product shall be free from defective workmanship and/or material for a twelve month period from the date of shipment, provided that Stellar Technology's obligation hereunder shall be limited to correcting any defective material FOB our factory. No allowance will be made for any expenses incurred for correcting any defective workmanship and/or material without written consent by Stellar Technology. This warranty is in lieu of all other warranties expressed or implied.

Find More Information at:
stellartech.com

Due to the nature of technology, changes are inevitable. For latest technical specifications, see our website.

237 Commerce Drive • Amherst, NY 14228 • USA

Tel: 716.250.1900 • Fax: 716.250.1909

Email: info@stellartech.com