

Series CTH932

Pump Off Control Polished Rod Load Cell



Description

The Series CTH932 load cells are designed specifically for the polished rod of an oilfield pump off control system. Each of these load cells is designed to meet the rigorous performance standards required in the harsh environment of an oilfield production site. These 0.25% accuracy load cells are constructed of all welded stainless steel, are hermetically sealed, and have a robust cable strain relief. These application specific load cells have transient voltage protection for lightning and/or power line surges. Each load cell is shock and vibration rated during the manufacturing process. Electrical output is 2 mV/V and as mV/V units, these passive devices are inherently intrinsically safe. Standard full scale capacities range from 20,000 lbf. to 80,000 lbf. Customer specific configurations can also be designed.

Standard Features

- Full scale capacities to 80,000 lbf.
- 0.25% BFSL accuracy
- All welded stainless steel
- 2 mV/V output
- Transient voltage protection
- Removable sealed cover for cable replacement
- Shock and vibration rated
- Operating Temperature of -40°F to 180°F
- NIST Traceable Calibration Record
- Fatigue life of 50,000,000 cycles
- 150% overload without damage

Optional Features

- Special Load Ranges
- Special multipoint calibrations
- Customer specific configurations
- Installation kits (bearing plate and spherical washers)
- Customer specific cable lengths
- High level outputs (analog & digital)

Performance

Standard Ranges

20,000 lbs. to 80,000 lbs. FSO.

Output

2mV/V nominal.

Accuracy

0.25% BFSL.

Temperature Effect on Zero

0.002% FSO/°F.

Temperature Effect on Span

0.002% Reading/°F.

Zero Balance

±1% FSO.

Environmental Characteristics

Operating Temperature Range

-40°F to 180°F.

Compensated Temperature Range

0°F to 150°F.

Temperature Effect on Zero

0.002% FSO/°F.

Temperature Effect on Span

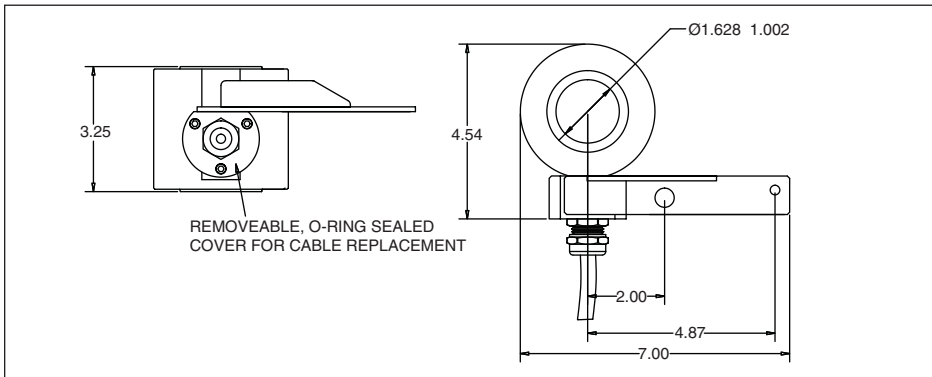
0.002% Reading/°F.

CTH932

Series CTH932 Specifications

Baseline Configuration Specs Represented.
Modifications Encouraged - See Below
Custom Designs Available

Dimensions (inches)



Mechanical Characteristics

Calibration

5 Points (0, 50%, 100%, 50%, 0)
Compression.

Static Overload Capacity

150% FSO.

Construction

Welded Stainless Steel.

Electrical Characteristics

Bridge Resistance

350 Ohms nominal.

Excitation

15 Vdc or Vac.

CE

0539

NOTES: When using a load cell the user must consider load ratings and fatigue life for long term use and structural integrity. Critical loading applications, especially overhead loading, must always be designed with safety redundant load paths.

MODIFICATIONS: We realize load cell applications vary greatly and as such our designs are flexible. Specifications subject to change without notice.

WARRANTY: Stellar Technology warrants that its product shall be free from defective workmanship and/or material for a twelve month period from the date of shipment, provided that Stellar Technology's obligation hereunder shall be limited to correcting any defective material FOB our factory. No allowance will be made for any expenses incurred for correcting any defective workmanship and/or material without written consent by Stellar Technology. This warranty is in lieu of all other warranties expressed or implied.

Find More Information at:
stellartech.com

Due to the nature of technology, changes are inevitable. For latest technical specifications, see our website.