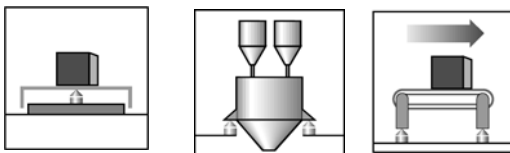


PW15PH...

Single point load cell

Special features

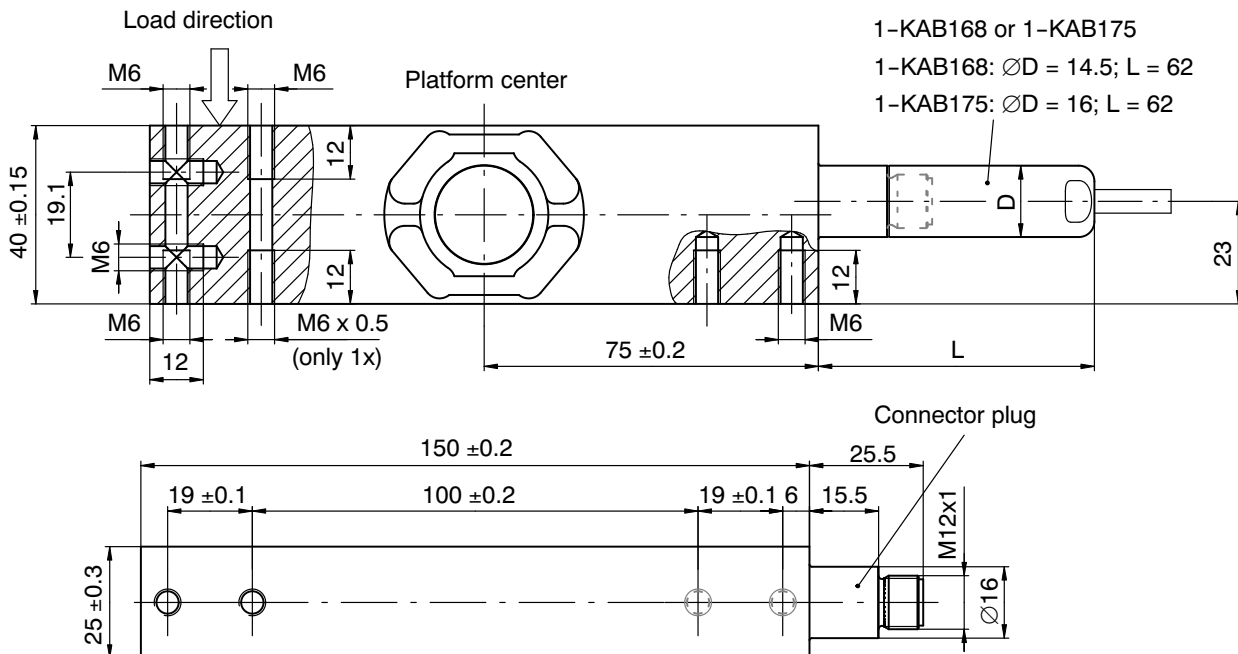
- Hermetically sealed (IP68; IP69K)
- Utmost reliability
- Constricted minimum load cell verification interval (v_{min}) for multirange applications
- Installation compatibility with the products of numerous manufacturers
- Stainless steel
- Six-wire configuration
- Robust connector, stainless steel M12



Accessories:

- M12 connection cable, hygiene design (aseptic)
- Connection cable, economy standard version
- Various cable lengths

Dimensions (in mm; 1 mm = 0.03937 inches)



Specifications

Type			PW15PH			
Accuracy class ¹⁾			C3MR			
Number of load cell verification intervals		n_{LC}	3000			
Maximum capacity	E_{max}	kg	10	20	50	100
Minimum load cell verification interval	v_{min}	g	1	2	5	10
Temperature coefficient of the zero signal per 10 K	TK_0	% of C_n	± 0.0140			
Maximum platform size		mm	500 x 400			
Nominal (rated) sensitivity	C_n	mV/V	2.0 ± 0.2			
Zero signal error			0 ± 0.1			
Temperature coefficient of the sensitivity per 10 K ²⁾ in the temperature range +20 ... +40 °C -10 ... +20 °C	TK_C	% of C_n	± 0.0170 ± 0.0117			
Non-linearity ²⁾	d_{lin}	% of C_n	± 0.0166			
Relative reversibility error ²⁾	d_{hy}		± 0.0166			
Minimum dead load output return	$MDLOR$		± 0.0166			
Off-center load error ³⁾			± 0.0166			
Input resistance	R_{LC}		Ω	380 ± 15		
Output resistance	R_0	350 ± 10				
Reference excitation voltage	U_{ref}	V	5			
Nominal (rated) range of the excitation voltage	B_U		1 ... 12			
Maximum excitation voltage			15			
Insulation resistance at 100 V _{DC}	R_{is}		GΩ			
Nominal (rated) ambient temperature range	B_T	°C	-10 ... +40			
Operating temperature range	B_{tu}		-10 ... +50			
Storage temperature range	B_{tl}		-25 ... +85			
Cleaning temperature		°C	Max. 120 °C for max. 10 minutes			
Limit load at 100 mm eccentricity	E_L	% of E_{max}	150			
Limit load at max. eccentricity of 160 mm	E_L		150			
Limit lateral loading, static	E_{lq}		300			
Breaking load	E_d		300			
Nominal (rated) displacement ⁴⁾	s_{nom}		mm	<0.5		
Weight, approx.	G	kg	0.8			
Degree of protection per EN 60529 (IEC 529)			IP68 (test conditions 1 m water column / 100 h); IP69K (water at high pressure, steam cleaner) ⁵⁾			
Measuring body material			Stainless steel 1.4545 ⁶⁾			

¹⁾ As per OIML R60, with $P_{LC} = 0.7$.

²⁾ The values for non-linearity (d_{lin}), relative reversibility error (d_{hy}) and temperature coefficient of sensitivity (TK_C) are recommended values. The sum of these values is within the cumulated error limit laid down by OIML R60.

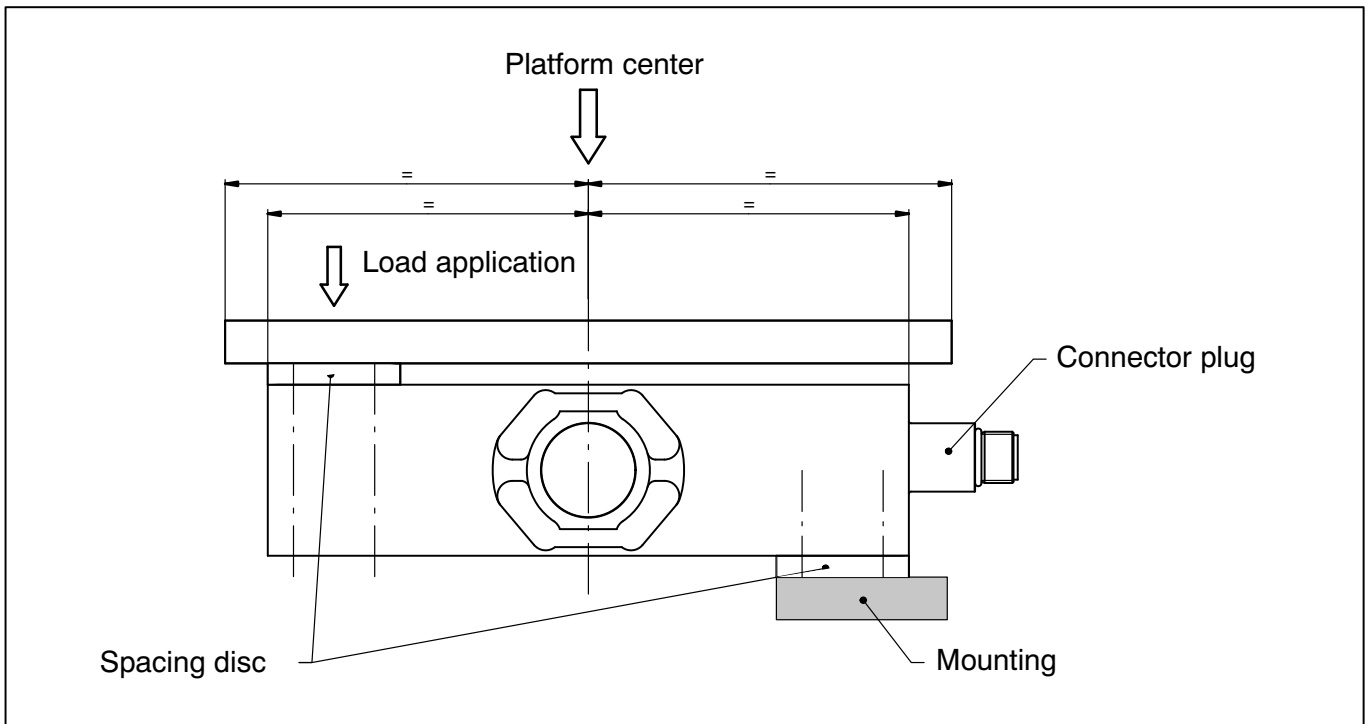
³⁾ As per OIML R76.

⁴⁾ Loading with E_{max} and center of gravity in center of load cell.

⁵⁾ Based on DIN 40050, Part 9 specifications, for road vehicles.

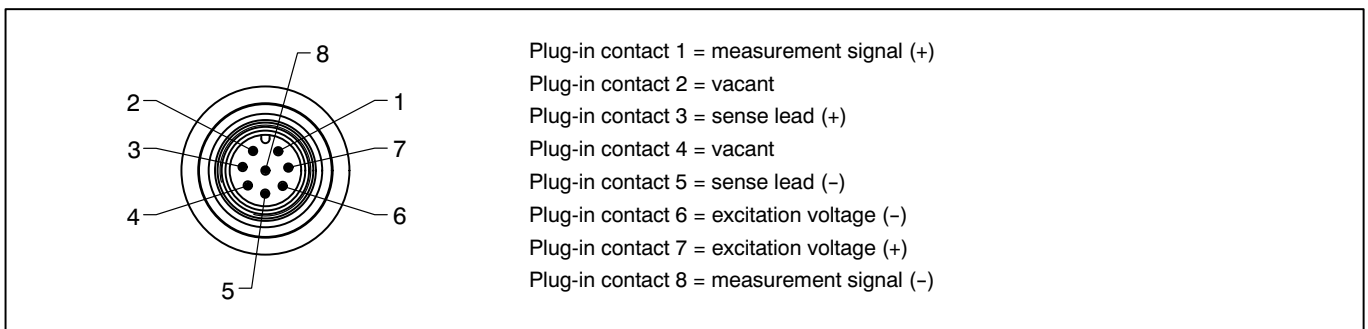
⁶⁾ As per EN 10088-1.

Mounting instructions



Mounting information			
Maximum capacities	Thread	Min. property class	Tightening torque
10 ... 100 kg	M6	10.9	14 N·m

Connector pin assignment



Product numbers (overview)

PW15PH... (stainless steel, hermetically sealed)

Type	PW15PH
Accuracy class	C3-MR (OIML)
Maximum capacity	Ordering number
10 kg	1-PW15PHC3/10KG-1
20 kg	1-PW15PHC3/20KG-1
50 kg	1-PW15PHC3/50KG-1
100 kg	1-PW15PHC3/100KG-1

Accessories:



Connection cable	
Connection cable with M12 F connector, 8-pin, TPU IP67, PUR cable sheath, 5 m long	1-KAB168-5
Connection cable with M12 F connector, 8-pin, TPU IP67, PUR cable sheath, 20 m long	1-KAB168-20
Connection cable with M12 F connector, 8-pin, stainless steel IP68/IP69K, hygiene design, 3 m long	1-KAB175-3-1
Connection cable with M12 F connector, 8-pin, stainless steel IP68/IP69K, hygiene design, 6 m long	1-KAB175-6-1

For connection cable specifications, see separate data sheet B3643.

Pin assignment 1-KAB168

Color code	Connection
White	Measurement signal (+)
Red	Measurement signal (-)
Blue	Excitation voltage (+)
Pink	Excitation voltage (-)
Green	Sense lead (+)
Gray	Sense lead (-)
Yellow	Not in use
Brown	Not in use

Pin assignment 1-KAB175

Color code	Connection
White	Measurement signal (+)
Red	Measurement signal (-)
Blue	Excitation voltage (+)
Black	Excitation voltage (-)
Green	Sense lead (+)
Gray	Sense lead (-)

Modifications reserved.

All product descriptions are for general information only. They are not to be understood as a guarantee of quality or durability and do not constitute any liability whatsoever.

Hottinger Baldwin Messtechnik GmbH

Im Tiefen See 45 · 64293 Darmstadt · Germany
 Tel. +49 6151 803-0 · Fax: +49 6151 803-9100
 Email: info@hbm.com · www.hbm.com

measure and predict with confidence

