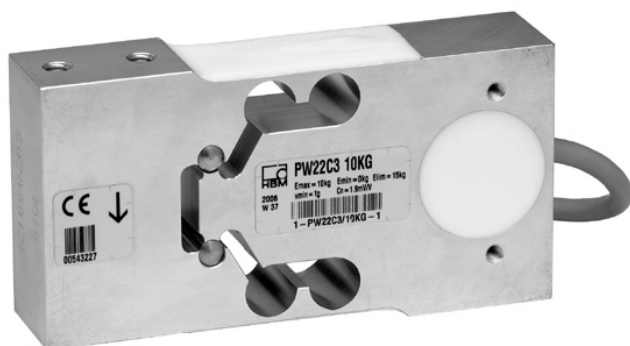


PW22C3

Single point load cells

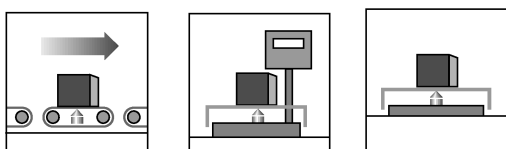


Special features

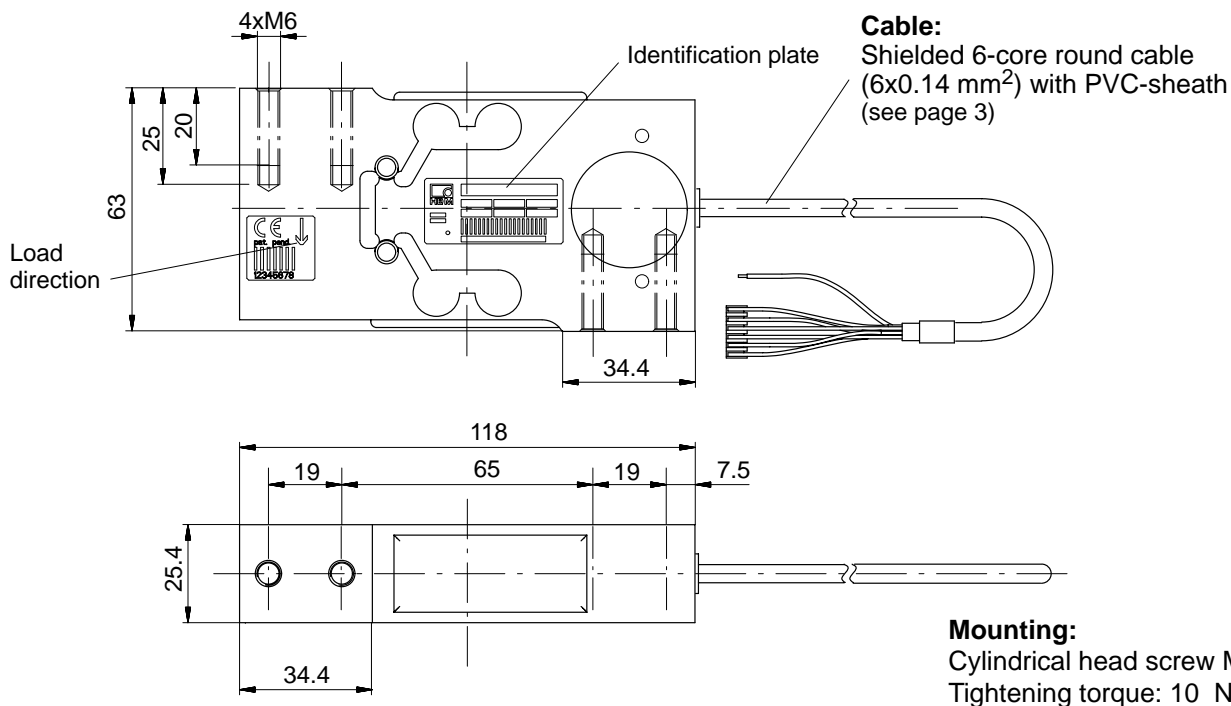
- High overload limits with integrated overload protection (Patent pending)
- High torsional and bending stiffness
- OIML-R60 certificate
- Degree of protection IP 67
- Fast Settling time
- optimized for dynamic weighing applications

Optional:

- Protection housing
- Different cable lengths



Dimensions (in mm; 1 mm= 0.03937 inches)



Specifications

Type	PW22...				
Accuracy class ¹⁾	C3MR				
Maximum number of load cell intervals (n _{LC})	3000				
Maximum capacity (E _{max})	kg	6	10	20	30
Minimum LC verification interval (v _{min})	g	0.5	1	2	2
Max. platform size	mm	400 x 400			
Sensitivity (C _n)	mV/V	1.9 ± 0.1			
Zero signal (without pre load)	mV/V	0 ± 0.1			
Temperature effect on zero balance (TK ₀)	% of C _n / 10 K	± 0.0117	± 0.0140	± 0.0140	± 0.0093
Temperature effect on sensitivity (TK _C) ²⁾ in the temperature range +20 ... +40 °C -10 ... +20 °C	% of C _n / 10 K	± 0.0175 ± 0.0117			
Relative reversibility error (d _{hy}) ²⁾	% of C _n	± 0.0166			
Linearity deviation (d _{lin}) ²⁾		± 0.0166			
Ratio of minimum dead load output return (DR)		± 0.0166			
Off-center load error ³⁾		± 0.0233			
Input resistance (R _{LC})	Ω	300...500			
Output resistance (R ₀)		300...500			
Reference excitation voltage (U _{ref})	V	5			
Nominal range of excitation voltage	V	1...12			
Max. excitation voltage (B _U)	V	15			
Isolation resistance (R _{is}) at 100 V _{DC}	GΩ	> 1			
Nominal (rated) range of ambient temperature (B _T)	°C [°F]	-10 ... +40 [14 ... 104]			
Operating temperature range (B _{tu})		-20 ... +50 [-4 ... 122]			
Storage temperature range (B _{tl})		-25 ... +70 [-13 ... 158]			
Limit load (E _L) at 120 mm eccentricity	% of E _{max}	150			
Lateral load limit (E _{lq}), static		> 300			
Permissible dyn. load (F _{srel}); with max. 50 mm eccentricity		70			
Breaking load (E _d) at 20 mm eccentricity		500			
Nominal (rated) displacement at E _{max} (s _{nom}), approx.	mm	< 0.15			
Resonance frequency, without load, approx.	Hz	280	380	540	660
Weight (G), approx.	kg	0.5			
Degree of protection acc. to EN 60 529 (IEC 529)		IP67			
Material: Measuring body Application protection Cable sheath		Aluminum Silicone rubber PVC			

1) According to OIMLR60 with P_{LC} = 0.7

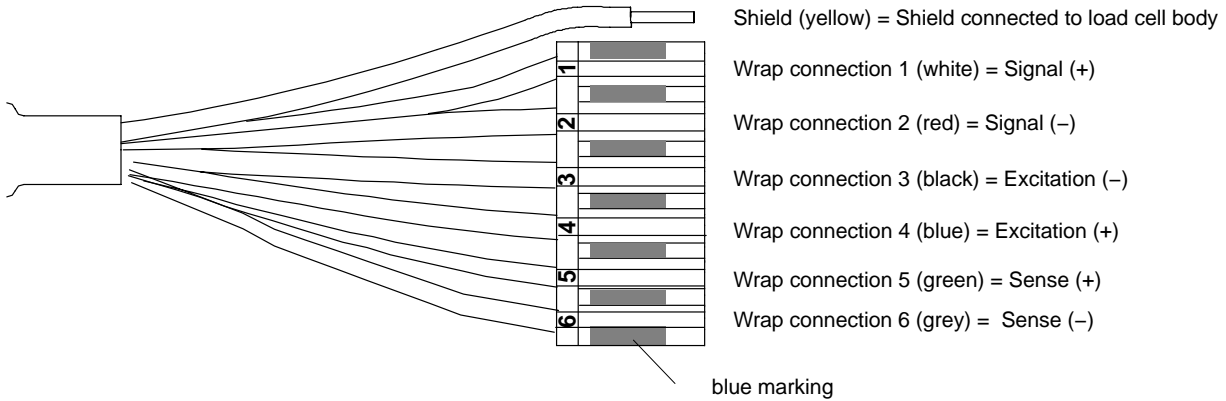
2) The values for linearity deviation (d_{lin}), relative reversibility error (d_{hy}) and temperature effect on sensitivity (TK_C) are recommended values. The sum of these values remain within the cumulated error limit acc. to OIML R60.

3) Loaded with 30 % of the max. capacity at 142 mm eccentricity (acc. to OIML R76).

Wiring code

Connection with 6 wire cable (selectable cable length: 1.5 m; 3 m; 6 m)

Detailed description of the Pancon plug (CE100F26-6), 6-pole



Ordering codes

PW22... (Aluminum)

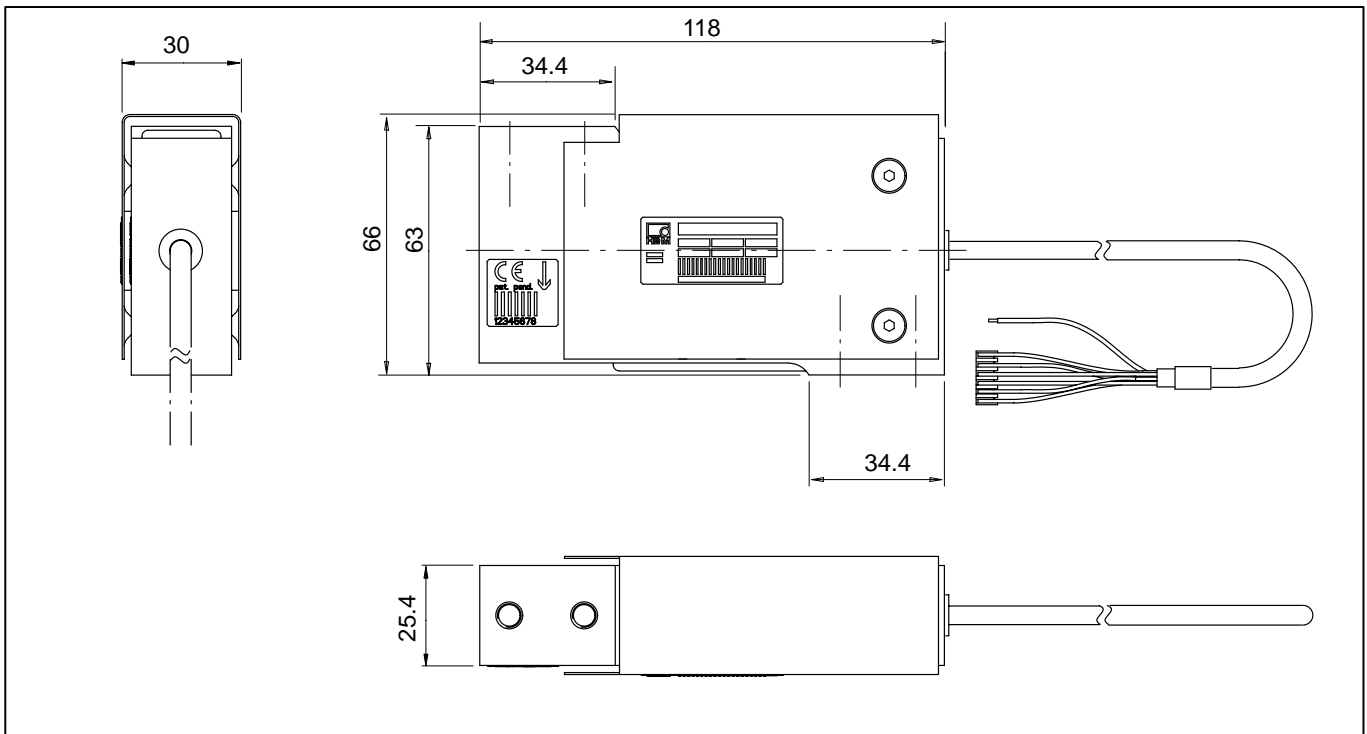
Type	PW22	
Accuracy	C3 (OIML)	
Note	Cable length 3m (6 wire)	
Capacity	Order no.	
6kg	1-PW22C3/6KG-1	
10kg	1-PW22C3/10KG-1	
20kg	1-PW22C3/20KG-1	
30kg	1-PW22C3/30KG-1	

K-PW22-... (Aluminum), optional versions

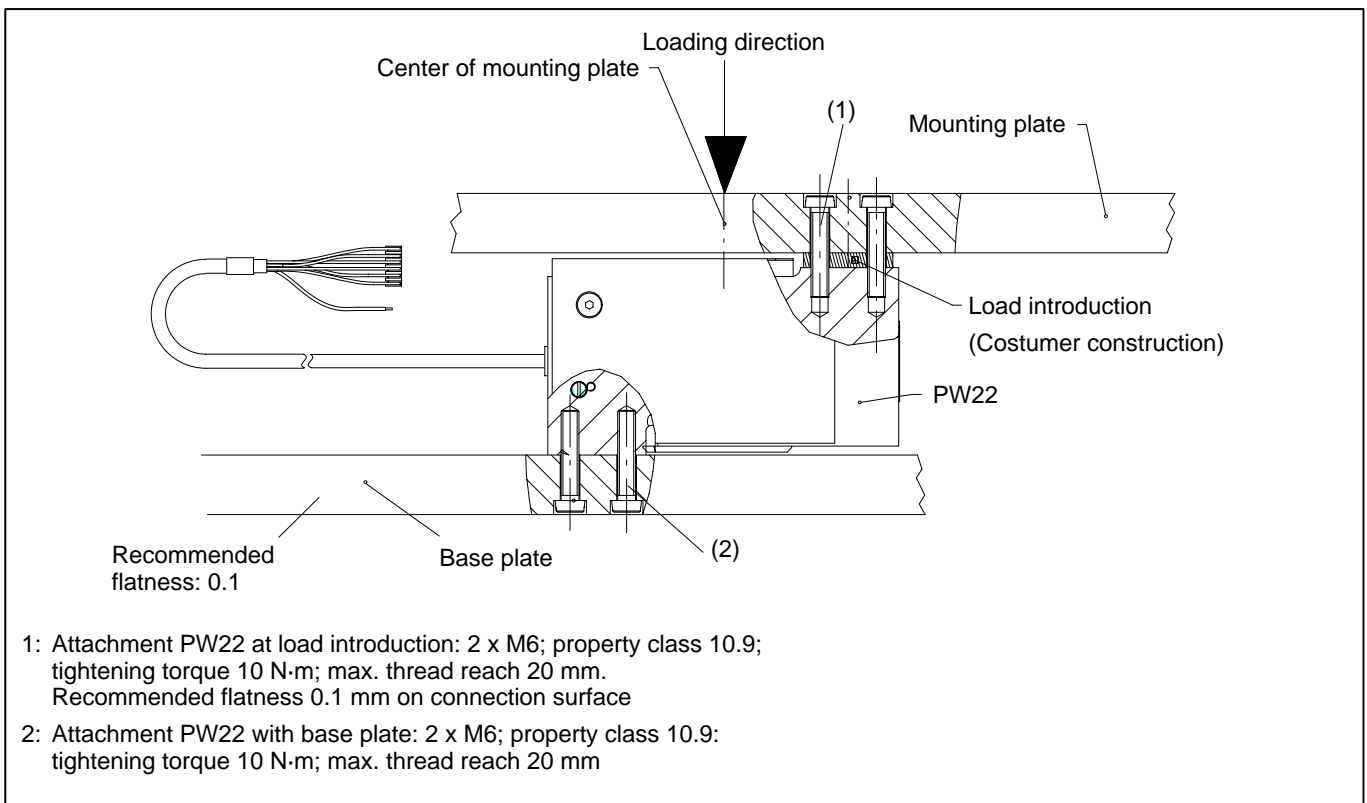
Order no.		
K-PW22		
Code	Option 1: Mechanical version	
0	without protection housing	
1	with protection housing	
Code	Option 2: Accuracy	
C3	C3 (OIML)	
Code	Option 3: Capacity	
6	6kg	
10	10kg	
20	20kg	
30	30kg	
Code	Option 4: NN	
N	-	
Code	Option 5: Cable length	
1.5	1.5m	
3	3m	
6	6m	
Code	Option 6: Miscellaneous	
N	without	

K-PW22 - - C3 - - N - - - N

Dimensions for version with protection housing



Mounting hints



Modifications reserved.

All details describe our products in general form only. They are not to be understood as express warranty and do not constitute any liability whatsoever.

Hottinger Baldwin Messtechnik GmbH

Im Tiefen See 45, D-64293 Darmstadt, Germany
 Tel.: +49 6151 803-0 Fax: +49 6151 803 9100
 Email: support@hbm.com Internet: www.hbm.com



measurement with confidence