

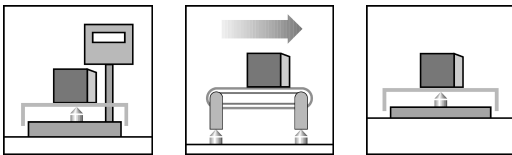


Special features

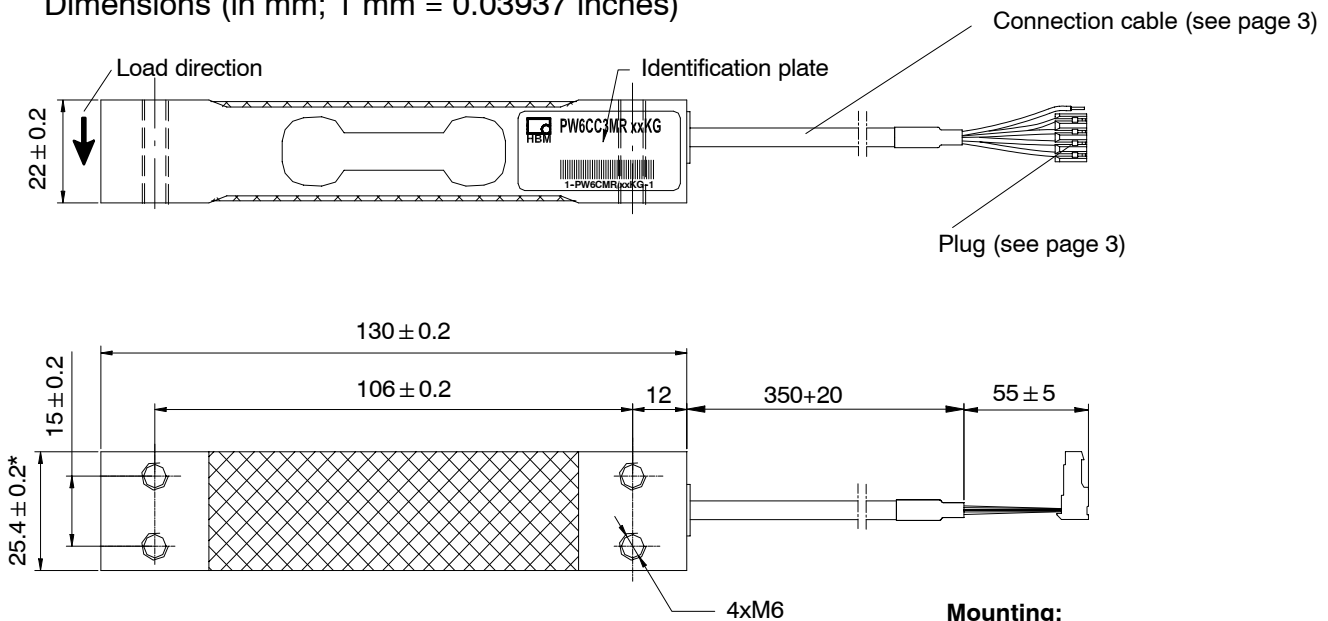
- Accuracy class C3 with OIML-R60 test report
- Off center load compensated (OIML R 76)
- Max. capacities: 3 kg ... 40 kg
- Degree of protection IP67 (according to EN 60 529)
- Shielded connection cable
- Optimized for static weighing applications

Optional:

- Accuracy class C6 with OIML-R60 test report
- Connection cable in six wire circuit
- Different cable lengths
- Aligned output, suitable for connection in parallel



Dimensions (in mm; 1 mm = 0.03937 inches)



Mounting:

Cylindrical head screw M6-8.8
Tightening torque: 10 N·m

* PW6CC3MR/40 kg: 30

Specifications

Type	PW6C...							
Accuracy class ¹⁾	C3, C3MR							
Maximum number of load cell intervals (n _{LC})	3000							
Maximum capacity (E _{max})	kg	3	5	10	15	20	30	40
Minimum LC verification interval (v _{min}), (Accuracy class C3)	g	0.5	1	2	2	5	5	10
Temperature effect on zero balance (TK ₀) (Accuracy class C3)	% of C _n / 10 K	± 0.0233	± 0.0280	± 0.0280	± 0.0186	± 0.0350	± 0.0233	± 0.0350
Minimum LC verification interval (v _{min}), (Accuracy class C3MR)	g	0.2	0.5	1	1	2	2	5
Minimum LC verification interval (v _{min}) (Accuracy class C3MR)	% of C _n / 10 K	± 0.0093	± 0.0140	± 0.0140	± 0.0093	± 0.0140	± 0.0093	± 0.0175
Max. platform size	mm	300 x 300						
Sensitivity (C _n)	mV/V	2.2 ± 0.2						
Zero signal	mV/V	0 ± 0.12						
Temperature effect on sensitivity (TK _C) ²⁾ in the temperature range +20 ... +40 °C [+68 ... +104 °F] -10 ... +20 °C [+14 ... +68 °F]	% of C _n / 10 K	± 0.0175 ± 0.0117						
Relative reversibility error (d _{hy}) ²⁾	% of C _n	± 0.0166						
Non-linearity (d _{lin}) ²⁾	% of C _n	± 0.0166						
Ratio of minimum dead load output return (DR)	% of C _n	± 0.0245						
Off-center load error ³⁾	% of C _n	± 0.0233						
Input resistance (R _{LC})	Ω	300...500						
Output resistance (R ₀)	Ω	300...500						
Reference excitation voltage (U _{ref})	V	5						
Nom. range of excitation voltage (B _U)	V	1 ... 12						
Isolation resistance (R _{is}) at 100 V _{DC}	GΩ	> 2						
Nominal (rated) range of ambient temperature (B _T)	°C [°F]	-10 ... +40 [+14 ... +104]						
Operating temperature range (B _{tu})	°C [°F]	-10 ... +50 [+14 ... +122]						
Storage temperature range (B _{tl})	°C [°F]	-25 ... +70 [-13 ... +158]						
Limit load (E _L) *)	% of E _{max}	150						
*) at max. eccentricity	mm	100						
Lateral load limit (E _{lq}), static	% of E	300						
Breaking load (E _d)	% of E	300						
Nominal (rated) displacement at E _{max} (s _{nom}), approx.	mm	< 0.5						
Weight (G), approx.	kg	0.25						
Degree of protection acc. to EN 60 529 (IEC 529)		IP67						
Material: Measuring body Application protection Cable sheath		Aluminum Silicone rubber PVC						

¹⁾ According to OIMLR60 with P_{LC} = 0.7

²⁾ The values for linearity deviation (d_{lin}), relative reversibility error (d_{hy}) and temperature effect on sensitivity (TK_C) are recommended values. The sum of these values remain within the cumulated error limit acc. to OIML R60.

³⁾ According to OIML R76.

Specifications (continuation)

Type	PW6C...							
Accuracy class ¹⁾	C6							
Maximum number of load cell intervals (n_{LC})	6000							
Maximum capacity (E_{max})	kg	3	5	10	15	20	30	40
Minimum LC verification interval (v_{min})	g	0.2	0.5	1	1	2	2	5
Temperature effect on zero balance (TK_0)	% of C_n / 10 K	± 0.0093	± 0.0140	± 0.0140	± 0.0093	± 0.0140	± 0.0093	± 0.0175
Max. platform size	mm	300 x 300						
Sensitivity (C_n)	mV/V	2.2 ± 0.2						
Zero signal		0 ± 0.10						
Temperature effect on sensitivity (TK_C) ²⁾ in the temperature range +20 ... +40 °C [+68 ... +104 °F] -10 ... +20 °C [+14 ... +68 °F]	% of C_n / 10 K	± 0.0087 ± 0.0058						
Relative reversibility error (d_{hy}) ²⁾		± 0.0083						
Non-linearity (d_{lin}) ²⁾		± 0.0083						
Ratio of minimum dead load output return (DR)	% of C_n	± 0.0083						
Off-center load error ³⁾		± 0.0116						

¹⁾ According to OIMLR60 with $P_{LC} = 0.7$

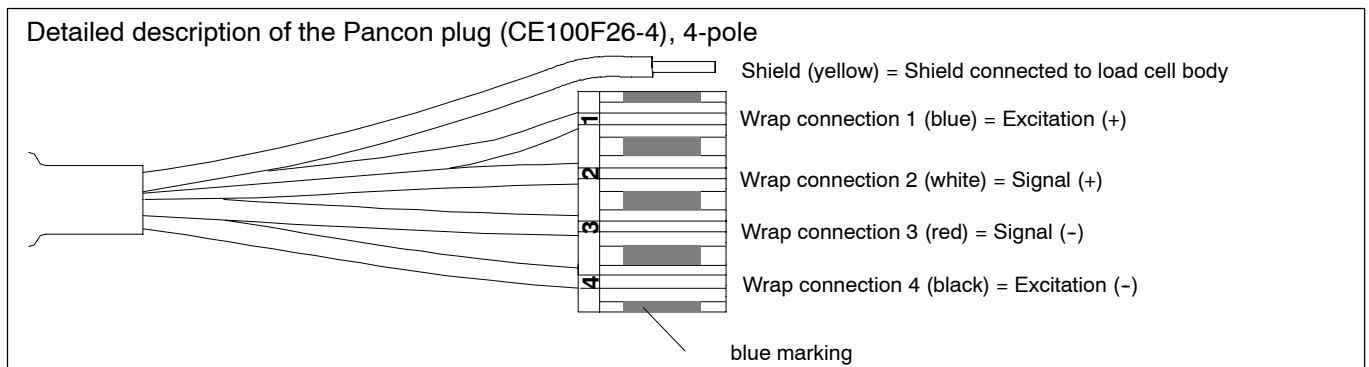
²⁾ The values for linearity deviation (d_{lin}), relative reversibility error (d_{hy}) and temperature effect on sensitivity (TK_C) are recommended values. The sum of these values remain within the cumulated error limit acc. to OIML R60.

³⁾ According to OIML R76.

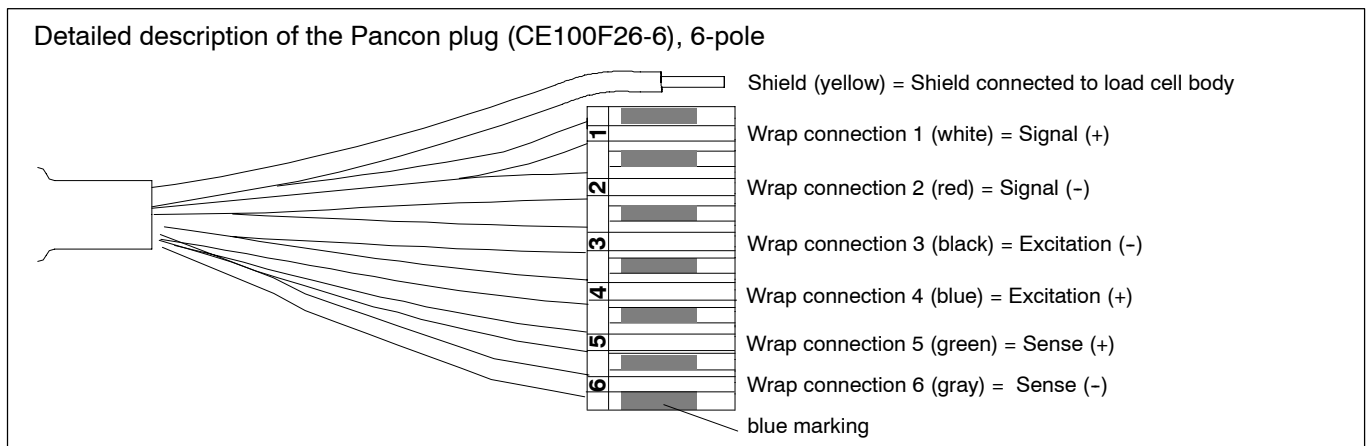
for more specifications, see table PW6C, accuracy class C3, C3MR (page 2)

Wiring code

Connection with 4 wire cable (cable length: 0.35 m)



Connection with 6 wire cable (cable length, selectable: 0.35 m; 1.5 m; 3 m; 6 m)



Ordering codes

PW6C... / K-PW6C-... *)

Optimized for static weighing applications

PW6C... (Aluminum)

Type	PW6C	
Accuracy	C3-MR (OIML)	
Note	Cable length 0.35m (4 wire)	
Capacity	Order no.	
3kg	1-PW6CMR/3KG-1	
5kg	1-PW6CMR/5KG-1	
10kg	1-PW6CMR/10KG-1	
15kg	1-PW6CMR/15KG-1	
20kg	1-PW6CMR/20KG-1	
30kg	1-PW6CMR/30KG-1	
40kg	1-PW6CMR/40KG-1	

K-PW6C... (Aluminum), optional versions

Order no.		
K-PW6C		
Code	Option 1: Mechanical version	
N	-	
Code	Option 2: Accuracy	
C3	C3 (OIML)	
MR	C3-MR (OIML)	
C6	C6 (OIML)	
Code	Option 3: Capacity	
3	3kg	
5	5kg	
10	10kg	
15	15kg	
20	20kg	
30	30kg	
40	40kg	
Code	Option 4: NN	
N	-	
Code	Option 5: Cable length	
4_0.35	0.35m (4 wire)	
6_0.35	0.35m (6 wire)	
6_1.5	1.5m (6 wire)	
6_3	3m (6 wire)	
6_6	6m (6 wire)	
Code	Option 6: Miscellaneous	
N	without	
A	2mV/V ±0.1% / 410 Ohms ±0.2 Ohms (aligned output, suitable for connection in parallel)	
K-PW6C - N - <input type="checkbox"/> - <input type="checkbox"/> - <input type="checkbox"/> - N - <input type="checkbox"/> <input type="checkbox"/> <input type="checkbox"/> <input type="checkbox"/> <input type="checkbox"/> - <input type="checkbox"/>		

*) Substituting PW6KR...

Modifications reserved.

All details describe our products in general form only. They are not to be understood as express warranty and do not constitute any liability whatsoever.

Hottinger Baldwin Messtechnik GmbH

Im Tiefen See 45, D-64293 Darmstadt, Germany
 Tel.: +49 6151 803-0 Fax: +49 6151 803 9100
 Email: support@hbm.com Internet: www.hbm.com



measurement with confidence