

PW2D...

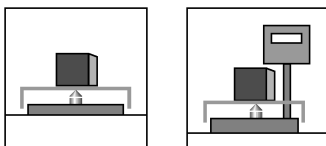
Single point load cells

Special features

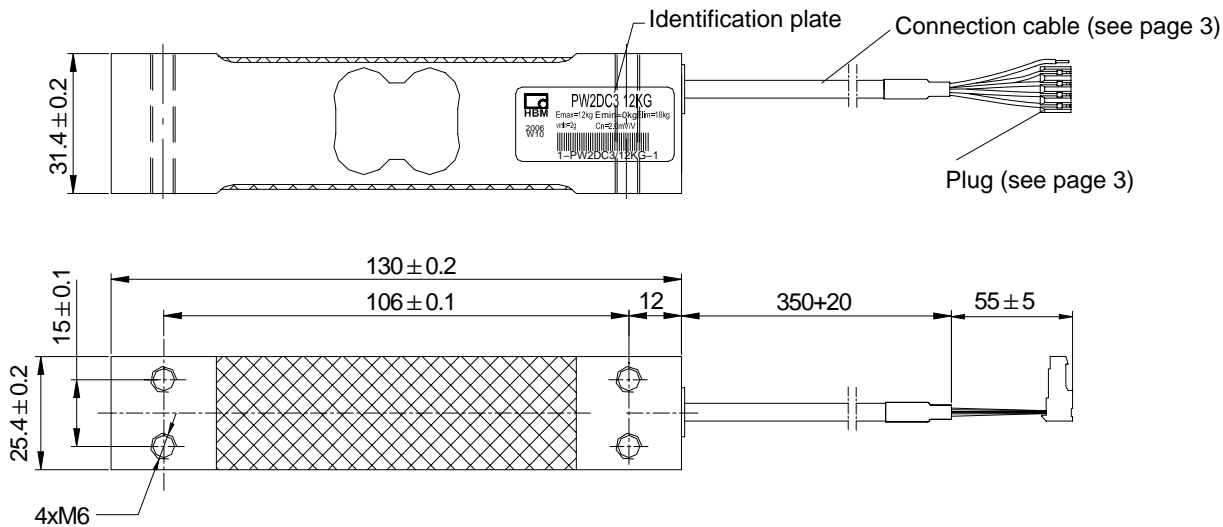
- Accuracy class C3 with OIML-R60 test report
- Max. capacities: 7.2 kg ... 72 kg
- Off center load compensated (OIML R76)
- Degree of protection IP67 (according to EN 60 529)
- Shielded connection cable
- optimized for dynamic weighing applications

Optional:

- Connection cable in six wire circuit
- Different cable lengths
- Aligned output, suitable for connection in parallel



Dimensions (in mm; 1 mm= 0.03937 inches)



Mounting:

Max. capacities ≤ 36 kg: fillister-head bolt M6-8.8, tightening torque: 6 N·m
 Max. capacities = 72 kg: fillister-head bolt M6-10.9, tightening torque: 10 N·m

Specifications

Type	PW2D...					
Accuracy class ¹⁾	C3, C3MR					
Maximum number of load cell intervals (n _{LC})	3000					
Maximum capacity (E _{max})	kg	7.2	12	18	36	72
Minimum LC verification interval (v _{min}) (Accuracy class C3)	g	1	2	5	10	20
Temperature effect on zero balance (TK ₀) (Accuracy class C3)	% of C _n / 10 K	±0.0194	±0.0233	±0.0389	±0.0389	±0.0389
Minimum LC verification interval (v _{min}) (Accuracy class C3MR)	g	0.5	1	2	5	10
Temperature effect on zero balance (TK ₀) (Accuracy class C3MR)	% of C _n / 10 K	±0.0097	±0.0116	±0.0155	±0.0194	±0.0194
Max. platform size	mm	380 x 380				
Sensitivity (C _n)	mV/V	2.0 ±0.2				
Zero signal	mV/V	0 ±0.1				
Temperature effect on sensitivity (TK _C) ²⁾ in the temperature range +20 ... +40 °C [+68 ... +104 °F] -10 ... +20 °C [+14 ... +68 °F]	% of C _n / 10 K	±0.0175 ±0.0117				
Relative reversibility error (d _{hy}) ²⁾		±0.0166				
Linearity deviation (d _{lin}) ²⁾		±0.0166				
Ratio of minimum dead load output return (DR)	% of C _n	±0.0166				
Off-center load error ³⁾		±0.0233				
Input resistance (R _{LC})	Ω	300...500				
Output resistance (R ₀)		300...500				
Reference excitation voltage (U _{ref})		5				
Nom. range of excitation voltage (B _U)	V	1 ... 12				
Isolation resistance (R _{is}) at 100 V _{DC}	GΩ	> 2				
Nominal (rated) range of ambient temperature (B _T)	°C [°F]	-10 ... +40 [+14 ... +104]				
Operating temperature range (B _{tu})		-10 ... +50 [+14 ... +122]				
Storage temperature range (B _{tl})		-25 ... +70 [-13 ... +158]				
Limit load (E _L) ^{*)}	% of E _{max}	150				
^{*)} at max. eccentricity	mm	160				
Lateral load limit (E _{lq}), static	% of E _{max}	300				
Breaking load (E _d)		300				
Nominal (rated) displacement at E _{max} (s _{nom}), approx.	mm	0.15	0.13	0.12	0.12	0.13
Natural frequency, approx.	Hz	340	460	600	840	1140
Weight (G), approx.	kg	0.25				
Degree of protection acc. to EN 60 529 (IEC 529)		IP67				
Material: Measuring body		Aluminum				
Application protection		Silicone caoutchouc				
Cable sheath		PVC				

1) According to OIMLR60 with P_{LC} = 0.7

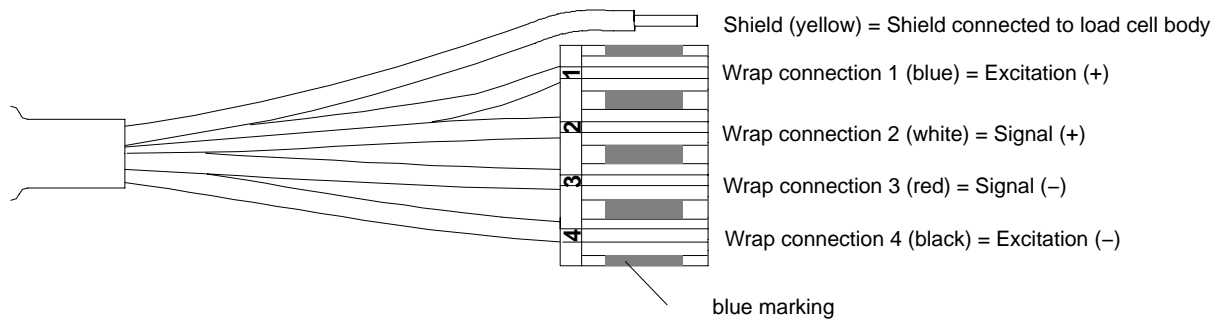
2) The values for linearity deviation (d_{lin}), relative reversibility error (d_{hy}) and temperature effect on sensitivity (TK_C) are recommended values. The sum of these values remain within the cumulated error limit acc. to OIML R60.

3) According to OIML R76.

Wiring code

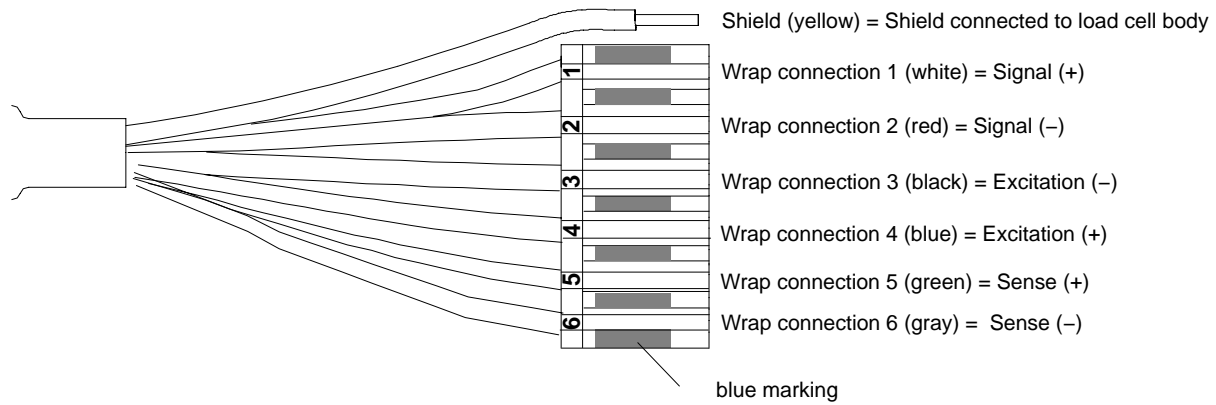
Connection with 4 wire cable (cable length: 0.35 m)

Detailed description of the Pancon plug (CE100F26-4), 4-pole



Connection with 6 wire cable (cable length, selectable: 0.35 m; 1.5 m; 3 m; 6 m)

Detailed description of the Pancon plug (CE100F26-6), 6-pole



Ordering designations

PW2D... (Aluminum)

Type	PW2D	
Accuracy	C3 (OIML)	
Note	Cable length 0.35m (4 wire)	
Capacity	Order no.	
7.2kg	1-PW2DC3/7.2KG-1	
12kg	1-PW2DC3/12KG-1	
18kg	1-PW2DC3/18KG-1	
36kg	1-PW2DC3/36KG-1	
72kg	1-PW2DC3/72KG-1	

K-PW2D... (Aluminum), optional versions

Order no.		
K-PW2D		
Code	Option 1: Mechanical version	
N	-	
Code	Option 2: Accuracy	
C3	C3 (OIML)	
MR	C3-MR (OIML)	
Code	Option 3: Capacity	
7.2	7.2kg	
12	12kg	
18	18kg	
36	36kg	
72	72kg	
Code	Option 4: NN	
N	-	
Code	Option 5: Cable length	
4_0.35	0.35m (4 wire)	
6_0.35	0.35m (6 wire)	
6_1.5	1.5m (6 wire)	
6_3	3m (6 wire)	
6_6	6m (6 wire)	
Code	Option 6: Miscellaneous	
N	without	
A	2mV/V $\pm 0.1\%$ / 410 Ohms ± 0.3 Ohms (aligned output, suitable for connection in parallel)	
K-PW2D - N - - - - N - - - - -		

Modifications reserved.

All details describe our products in general form only. They are not to be understood as express warranty and do not constitute any liability whatsoever.

Hottinger Baldwin Messtechnik GmbH

Im Tiefen See 45, D-64293 Darmstadt, Germany

Tel.: +49 6151 803-0 Fax: +49 6151 803 9100

Email: support@hbm.com Internet: www.hbm.com



measurement with confidence