

DIS2116

Legal-for-trade
digital scale electronics

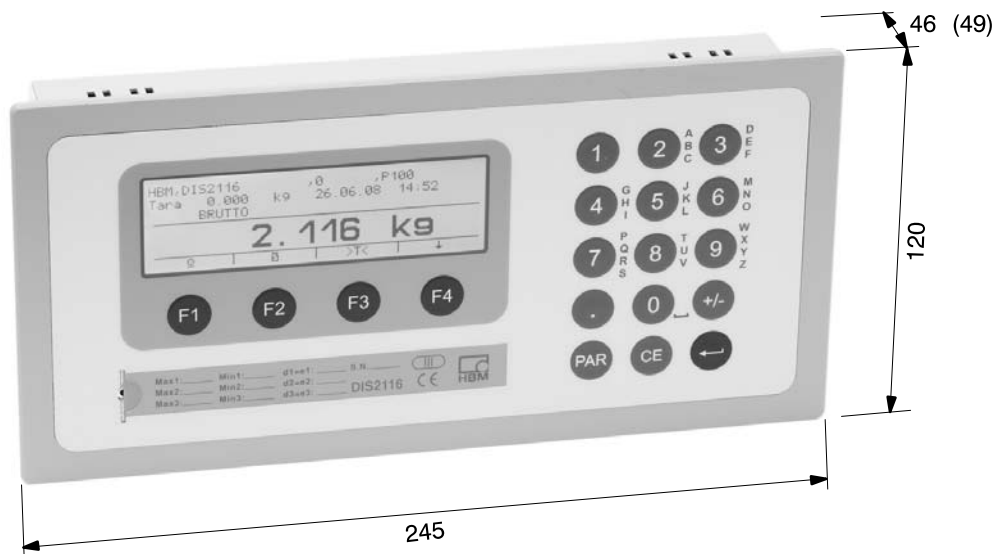


DIS2116 with desktop housing, also for wall mounting

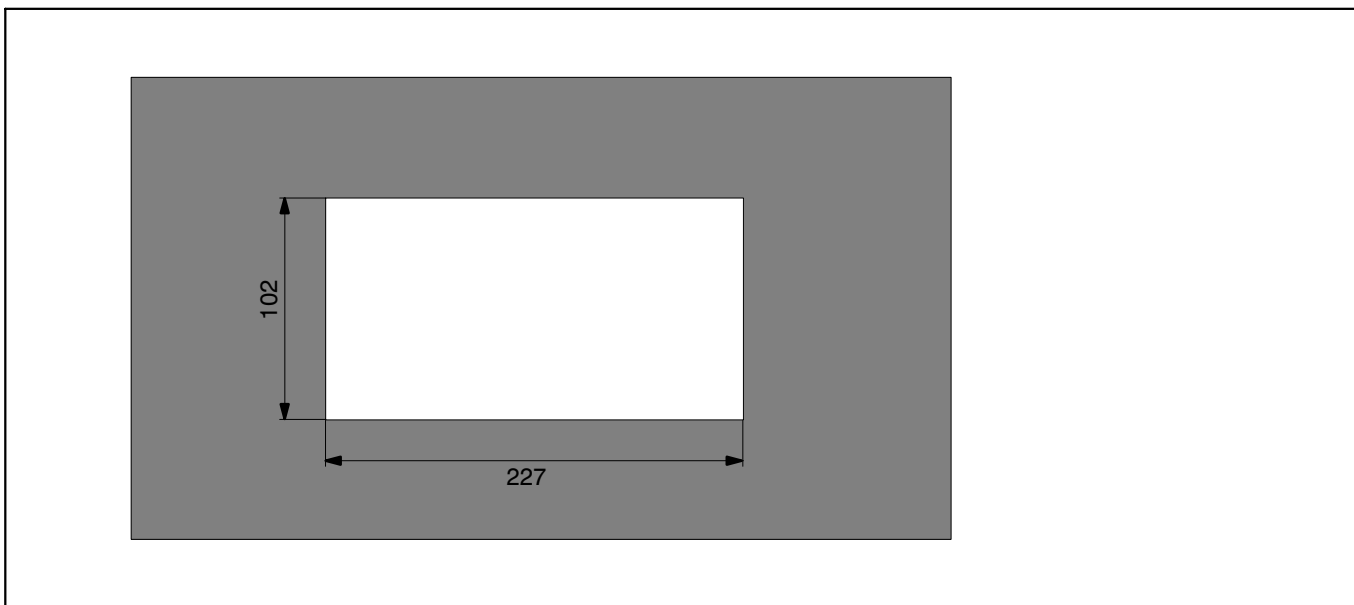
Special features

- For connection of digital load cells
- Alibi memory for print data and settings
- Encrypted data transfer from load cell to DIS2116
- COM-Port for a printer (RS232 or USB)
- PS2 connection for external keyboard
- Database function for check-in and check-out scales
- Additional interfaces for data exchange of host systems
- Eight European menu languages selectable

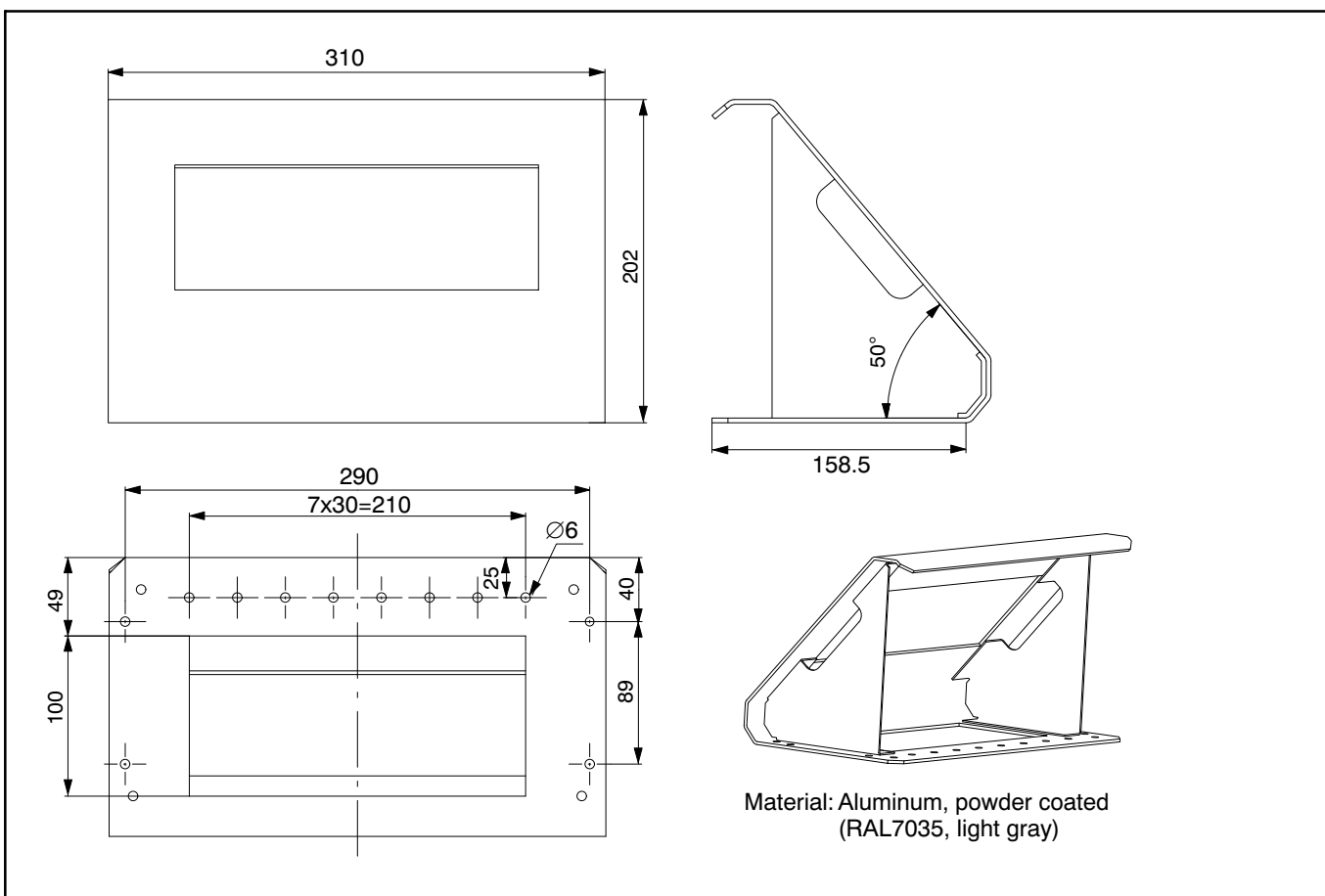
Dimensions (in mm; 1 mm= 0.03937 inches)



Dimensions (Cutout in the panel-frame)



Dimensions (desktop housing, also for wall mounting)



Specifications

| Type | | DIS2116 |
|--|-----------------|--|
| NAWI (non automatic weighing indicator) | | |
| Voltage supply UB | | |
| Range | V _{DC} | 10 ... 30 (24 nominal) |
| Power consumption (without outputs) | W | 0.88 |
| Current consumption (with 24 V) | mA | 40 |
| Load cell connection | | |
| | | RS485 interface COM1 |
| Supply voltage OUT1 | V _{DC} | 10 ... 30 |
| Output current | A | < 1 |
| Supply voltage OUT3 (C16i) | V _{DC} | 10 ... 17 |
| Output current | A | < 1 |
| Maximum cable length | m | see table in the annex to the specifications |
| Display | | |
| LCD with backlighting and status symbols | Pixel | 240x64 |
| Character height (measured value) | mm | 8 |
| Output rate | / s | 5 |
| Keys | | |
| Number | | 15 |
| Function keys | | 4 |
| Serial interface (COM1), Load cells | | |
| Baud rate | Bd | 9600, ..., 115200 |
| Parity bit | | even |
| Data bits | Bit | 8 |
| Stop bit | Bit | 1 |
| Type | | RS485 (2/4-wire) |
| RS485, 2-wire, signals | | TRxA, TRxB |
| RS485, 4-wire, signals | - | TRA, TRB, TXA, TXB |
| Max. cable length RS485 | m | 500 |
| Serial interface (COM2), PC/PLC | | |
| Baud rate | Bd | 1200, ..., 115200 |
| Parity bit | | Even, odd, none |
| Data bits | Bit | 8 |
| Stop bit | Bit | 1 |
| Type | | RS232 |
| RS232, signals | | RxD, TxD, GND |
| Max. cable length RS232 | m | 25 |
| Serial interface (COM3), Printer | | |
| Baud rate (RS232) | Bd | 1200, ..., 115200 |
| Parity bit (RS232) | | Even, odd, none |
| Data bits (RS232) | Bit | 8 |
| Stop bit (RS232) | Bit | 1 |
| Type | | RS232 |
| RS232, signals | | RxD, TxD, GND, DTR |
| Max. cable length RS232 | m | 25 |
| USB (COM3), Printer | | |
| Max. cable length | m | 5 |
| Printer language | | PCL1 ... 5 |
| Serial interface (COM4), Second display | | |
| Baud rate | Bd | 1200, ..., 115200 |
| Parity bit | | Even, odd, none |
| Data bits | Bit | 8 |
| Stop bit | Bit | 1 |
| Type | | RS232 |
| RS232, signals | | RxD, TxD, GND, DTR |
| Max. cable length RS232 | m | 25 |

Specifications (Continuation)

| | | |
|--|---------|---------------------------|
| PS2 interface, standard keyboard | | |
| Output current | mA | < 100 |
| Ambient conditions | | |
| Temperature range | | |
| Nominal temperature range | °C [°F] | -10 ... +50 [14 ... 122] |
| Operating temperature range | °C [°F] | -20 ... +60 [-4 ... 140] |
| Storage temperature range | °C [°F] | -30 ... +80 [-22 ... 176] |
| Relative humidity, non-condensing | | |
| in operation | % | 20 ... 85 |
| Storage | % | 10 ... 90 |
| DIS2116 housing | | |
| Degree of protection per EN 60529 (IEC 529) | | IP20 |
| Degree of protection per EN 60529 (IEC 529) for front panel when installed | | IP65 |
| Material | | Aluminum |
| Weight, approx. | g | 540 |

The DIS2116 is not sensitive to HF irradiation and conducted interference in accordance with OIML R 76, EN 45501:1992(B3), EN 61326: 2006 emission (EME) class B, Immunity from interference: industrial environment.

Maximum cable lengths¹⁾ between DIS2116 and C16i load cell(s)

If the supply voltage of the DIS2116 is less than 17 V, the digital load cells can be directly supplied from the scale electronics. Please note the below table for dimensioning. With a nominal (rated) supply voltage of 24 V, the load cells require a separate voltage supply.

| | | Nominal (rated) voltage 12 V _{DC} | | | Nominal (rated) voltage 15 V _{DC} | | |
|----------------------|------------------------------|--|------|-----|--|------|-----|
| | | Core cross section (mm ²) | | | | | |
| | | 0.14 | 0.25 | 0.5 | 0.14 | 0.25 | 0.5 |
| Number of load cells | Total Power consumption (mA) | Cable length (m) | | | | | |
| 1 | 50 | 393 | 500 | 500 | 500 | 500 | 500 |
| 2 | 100 | 197 | 350 | 500 | 315 | 500 | 500 |
| 3 | 150 | 131 | 234 | 468 | 210 | 375 | 500 |
| 4 | 200 | 98 | 176 | 351 | 157 | 281 | 562 |
| 6 | 300 | 66 | 117 | 234 | 105 | 187 | 375 |
| 8 | 400 | 49 | 88 | 176 | 79 | 140 | 281 |
| 10 | 500 | 39 | 70 | 140 | 63 | 112 | 225 |
| 12 | 600 | 33 | 59 | 117 | 52 | 94 | 187 |
| 16 | 800 | 25 | 44 | 88 | 39 | 70 | 140 |

¹⁾ Cable length up to max. 500m.

Accessories

Included in the scope of supply:

- System-CD-ROM 1-DIS2116-DOC, with Communication Protocol for PC and documentation

To be ordered separately:

- Power supply unit AC/DC15 V / 530mA (for max. 8 load cells)
- Desktop or wall mounted housing, 1-TG2116

Modifications reserved.

All details describe our products in general form only. They are not to be understood as express warranty and do not constitute any liability whatsoever.

Hottinger Baldwin Messtechnik GmbH

Im Tiefen See 45 · 64293 Darmstadt · Germany
 Tel. +49 6151 803-0 · Fax: +49 6151 803-9100
 Email: info@hbm.com · www.hbm.com

measure and predict with confidence

