



DWS2103

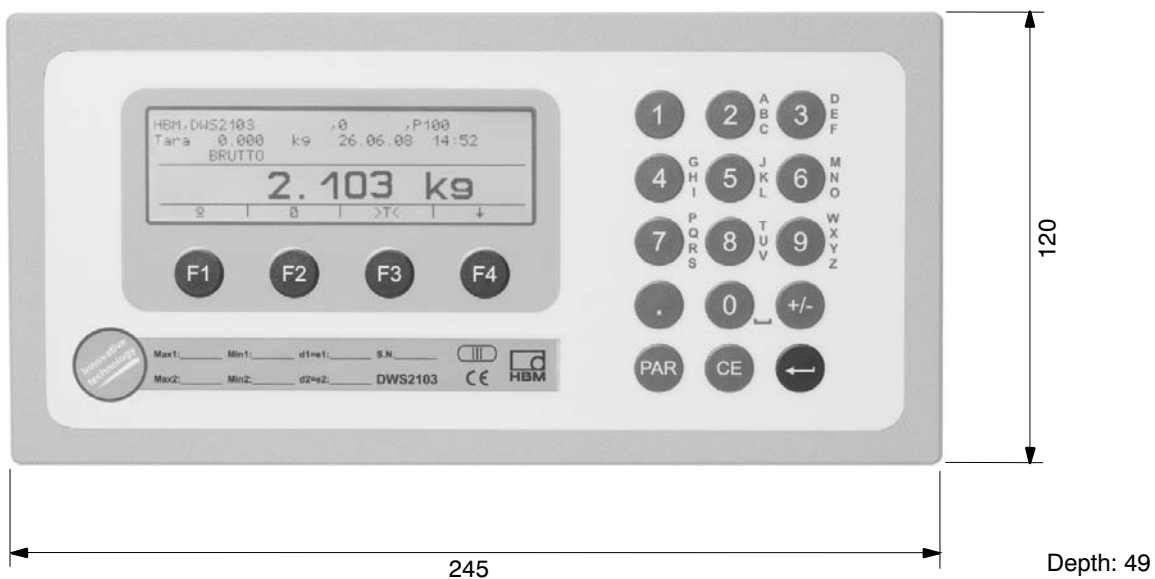
Legal-for-trade
digital scale display



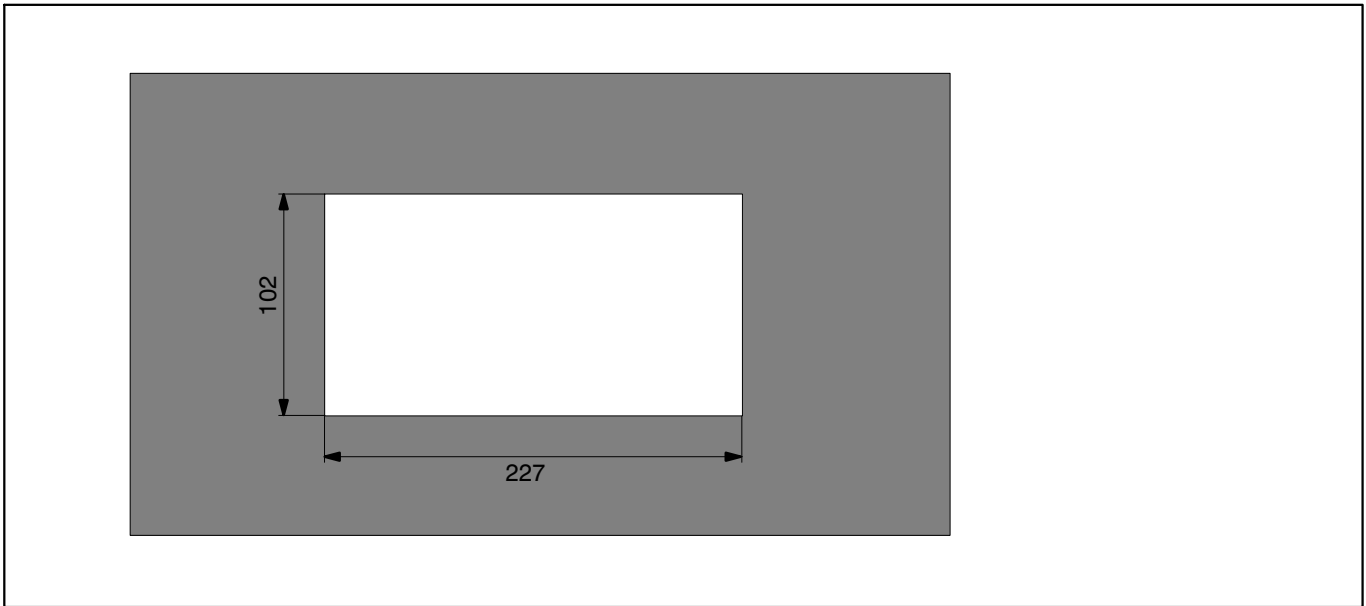
Special features

- For connection of digital load cells and amplifiers of the AED... transducer electronics
- Alibi memory for settings
- Encrypted data transfer between DWS2103 and connected load cells or AED... components
- COM-Port for a printer (RS232 or USB)
- PS2 connection for external keyboard
- Additional interfaces for data exchange of host systems
- Eight European menu languages selectable

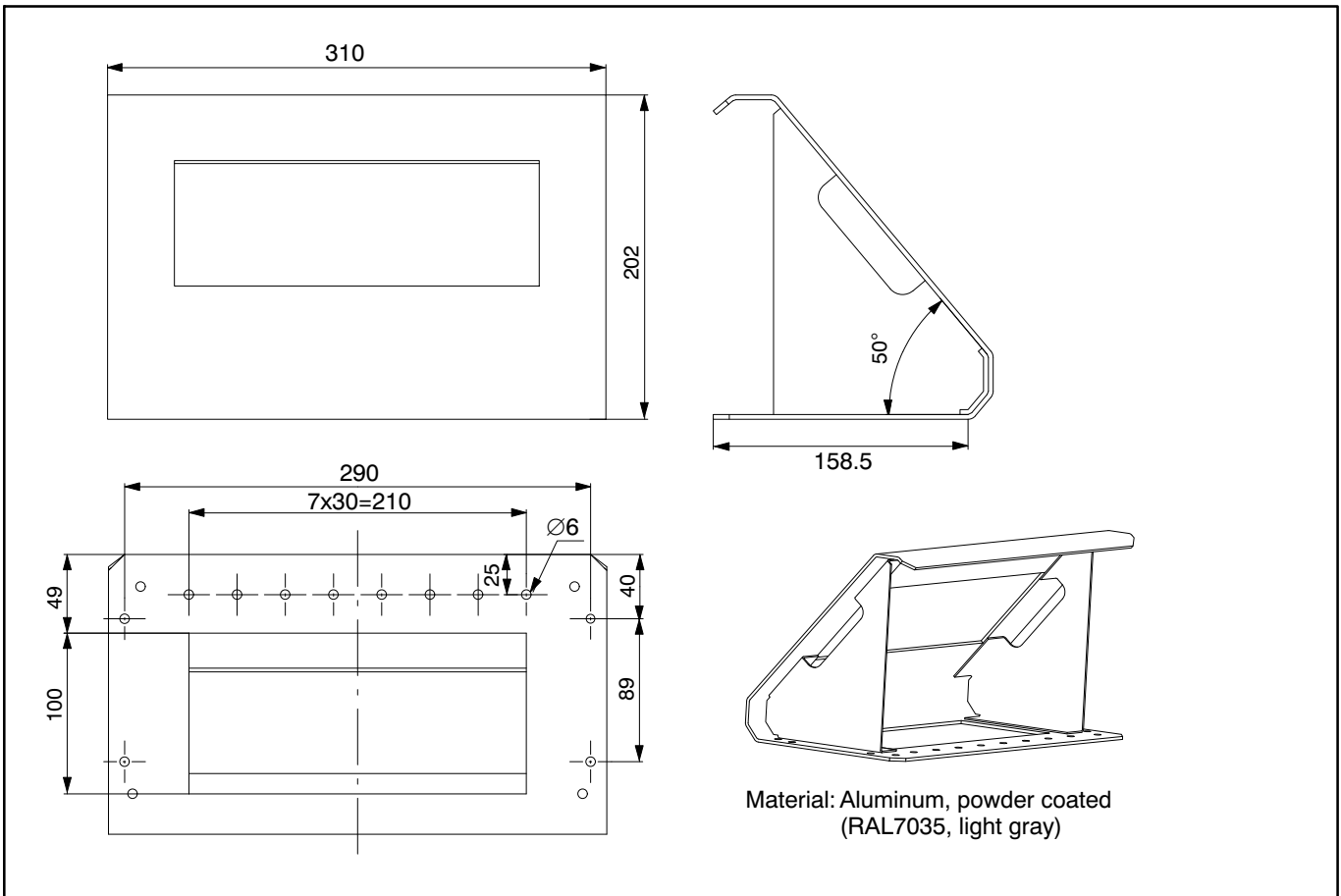
Dimensions (in mm; 1 mm= 0.03937 inches)



Dimensions (Cutout in the panel-frame); (in mm; 1 mm= 0.03937 inches)



Dimensions (desktop housing, also for wall mounting); (in mm; 1 mm= 0.03937 inches)



Specifications

Type (NAWI, non automatic weighing indicator)		DWS2103
Voltage supply UB		
Range	V _{DC}	10 ... 30 (24 nominal)
Power consumption (without outputs)	W	0.88
Current consumption (with 24 V)	mA	40
Connector for digital load cells or AED... electronics		
RS485 interface COM1		
Supply voltage OUT1	V _{DC}	10 ... 30
Output current	A	< 1
Display		
LCD with backlighting and status symbols	Pixel	240x64
Character height (measured value)	mm	8
Output rate	/ s	5
Keys		
Number		15
Function keys		4
Serial interface RS-485 (COM1), Load cells		
Baud rate	bit/s	9600, ..., 115200
Node		0 ... 89
Type		RS485 (2/4-wire)
RS485, 2-wire, signals		TRxA, TRxB
RS485, 4-wire, signals	-	TRA, TRB, TXA, TXB
Max. cable length RS485	m	500
Serial interface (COM1), CANopen, Load cells		
Protocol		CANopen
Bit rate	kbit/s	10 ... 1000
Node		1 ... 127
Interface cable length	m	5000 ... 25
Serial interface (COM2), PC/PLC		
Baud rate	bit/s	1200, ..., 115200
Parity bit		Even, odd, none
Data bits	bit	8
Stop bit	bit	1
Type		RS232
RS232, signals		RxD, TxD, GND
Max. cable length RS232	m	25
Serial interface (COM3), Printer		
Baud rate (RS232)		1200, ..., 115200
Parity bit (RS232)		Even, odd, none
Data bits (RS232)	bit	8
Stop bit (RS232)	bit	1
Type		RS232
RS232, signals		RxD, TxD, GND, DTR
Max. cable length RS232	m	25
USB (COM3), Printer		
Max. cable length	m	5
Printer language		PCL1 ... 5
Serial interface (COM4), Second display		
Baud rate	bit/s	1200, ..., 115200
Parity bit		Even, odd, none
Data bits	bit	8
Stop bit	bit	1
Type		RS232
RS232, signals		RxD, TxD, GND, DTR
Max. cable length RS232	m	25
PS2 interface, standard keyboard		
Output current	mA	< 100

Specifications (Continuation)

Ambient conditions		
Nominal temperature range	°C [°F]	-10 ... +50 [14 ... 122]
Operating temperature range	°C [°F]	-20 ... +60 [-4 ... 140]
Storage temperature range	°C [°F]	-30 ... +80 [-22 ... 176]
Relative humidity, non-condensing		
in operation	%	20 ... 85
Storage	%	10 ... 90
Housing		
Degree of protection per EN 60529 (IEC 529)		IP20
Degree of protection per EN 60529 (IEC 529) for front panel when installed		IP65
Material		Aluminum
Weight, approx.	g	540

The DWS2103 is not sensitive to HF irradiation and conducted interference in accordance with OIML R 76, EN 45501:1992(B3), EN 61326: 2006 emission (EME) class B, Immunity from interference: industrial environment.

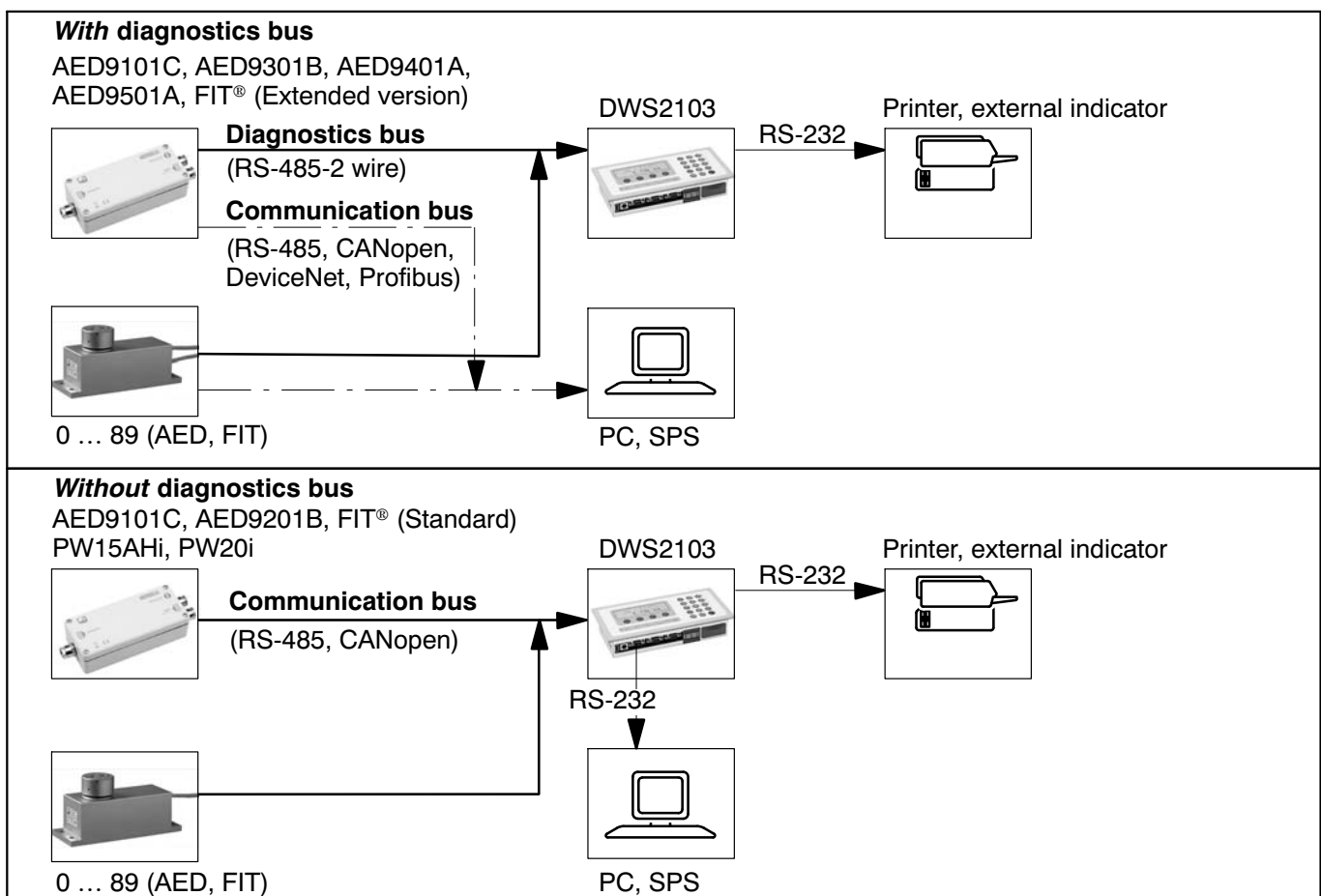
Accessories, included in the scope of supply

- System-CD-ROM 1-DWS2103-DOC, with Communication Protocol for PC and documentation

Accessories, to be ordered separately

- Power supply unit AC/DC15 V / 530mA
- Desktop or wall mounted housing, 1-TG2116

Communication in the measurement chain *with* and *without* diagnostics bus



Modifications reserved.

All details describe our products in general form only. They are not to be understood as express warranty and do not constitute any liability whatsoever.

Hottinger Baldwin Messtechnik GmbH

Im Tiefen See 45 · 64293 Darmstadt · Germany
Tel. +49 6151 803-0 · Fax: +49 6151 803-9100
Email: info@hbm.com · www.hbm.com

measure and predict with confidence

