

WE2108

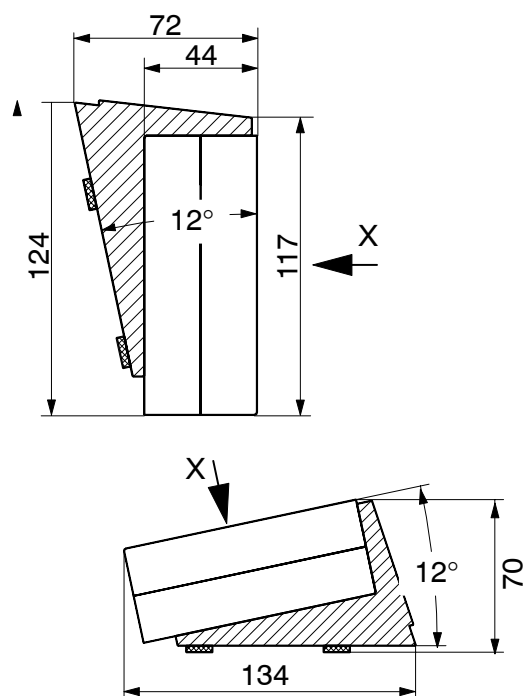
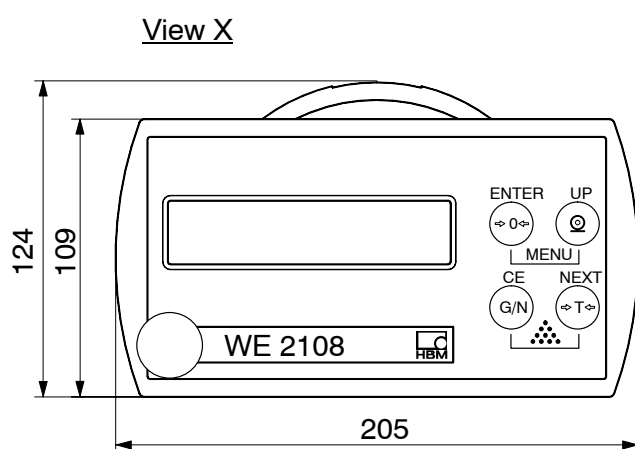
Scale electronic unit
(NAWI)

Special features

- OIML-class up to 6000 d
- Multi-Range / Multi-Interval
- Designed for
 - wall or column mounting
 - use as desktop unit
- Basic functions:
 - Gross, Net, Tare, Printing
- Counting scale function
- RS-232-interface
- Two digital in- / outputs
- Protection class IP65



Dimensions (in mm; 1 mm= 0.03937 inches)



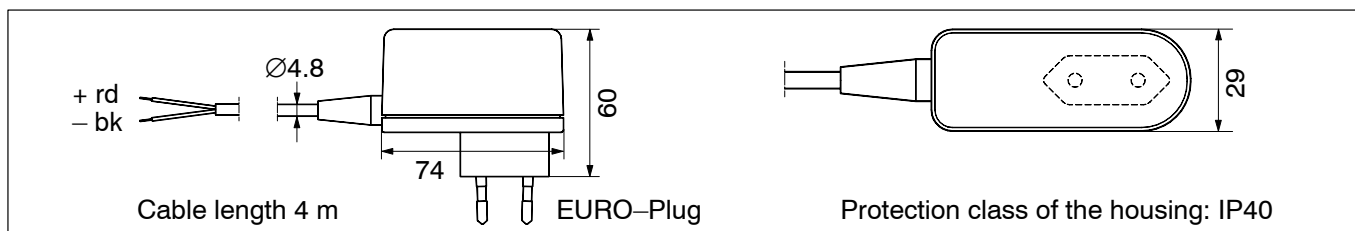
Specifications

Type	WE2108	
Max. number of scale intervals accord. to OIML R76 (class III, IIII)	d	6000; 2 x 3000; Multi-Range; Multi-Interval
Input sensitivity	$\mu\text{V/e}$	≥ 1
Measuring range	mV/V	0 ... 2.7
Min. input impedance of the load cell	Ω	87
Max. input impedance of the load cell	Ω	2000
Load cell excitation voltage	V_{DC}	6.5
Cable length between WE2108 and load cell(s)	m	max. 100
Measuring rate	Meas./s	50 ... 28
Filter Cut-off frequency (-3 dB)	Hz	2 ... 12
Transient respond time	ms	90 ... 625
Power supply	V_{DC}	10 ... 35
Power consumption (incl. Display lighting)	W	2.5
Display		LCD with back-lighting
Hight of display	mm	20
Status symbols		Zero, Net, Motion, Unit, Range
Keys		Foil keyboard (tactile feedback)
2 Digital inputs (e.g. Brutto, Tare, Net, Printer)		Active level $< 0.8 V$, $R_i = 10 \text{ k}\Omega$
Permissible range of voltage	V	-30 ... +30
2 Digital outputs (e.g. for PLC)	V	max. 40 (Open Collector)
Max. current	A	0.2 typ.
Serial interface		1 x RS-232 (cable length $\leq 25 \text{ m}$)
Baud-rate, adjustable	Bd	1200 ... 9600
Serial interface functions		Print, serial display (autom. output), PC-connection
Nominal temperature range	$^{\circ}\text{C}$ [$^{\circ}\text{F}$]	-10 ... +40 [14 ... 104]
Service temperature range	$^{\circ}\text{C}$ [$^{\circ}\text{F}$]	-10 ... +60 [14 ... 140]
Storage temperature range	$^{\circ}\text{C}$ [$^{\circ}\text{F}$]	-30 ... +70 [-22 ... 158]
Connection / Fitting		4 x PG 7
Weight, approx.	kg	1
Protection class acc. to EN 60 529 (IEC 529)		IP65
Immunity level (EMC) accord. to EN 45501 (3 V/m)		additional tested up to 10 V/m
Housing material		ABS, free of halogene

Scope of supply: – WE2108
– Reference Manual

Accessories, to be ordered separately:

- CD-ROM with WE2108-Panel-Software and Communication Protocol for PC
- Power supply unit (100 ... 240 V), Order no. 1-AC/DC15V/550mA



Modifications reserved.

All details describe our products in general form only. They are not to be understood as express warranty and do not constitute any liability whatsoever.

Hottinger Baldwin Messtechnik GmbH

Im Tiefen See 45, D-64293 Darmstadt, Germany
Tel.: +49 6151 8030; Fax: +49 6151 803 9100
E-mail: support@hbm.com www.hbm.com



measurement with confidence