

PACEline CLP

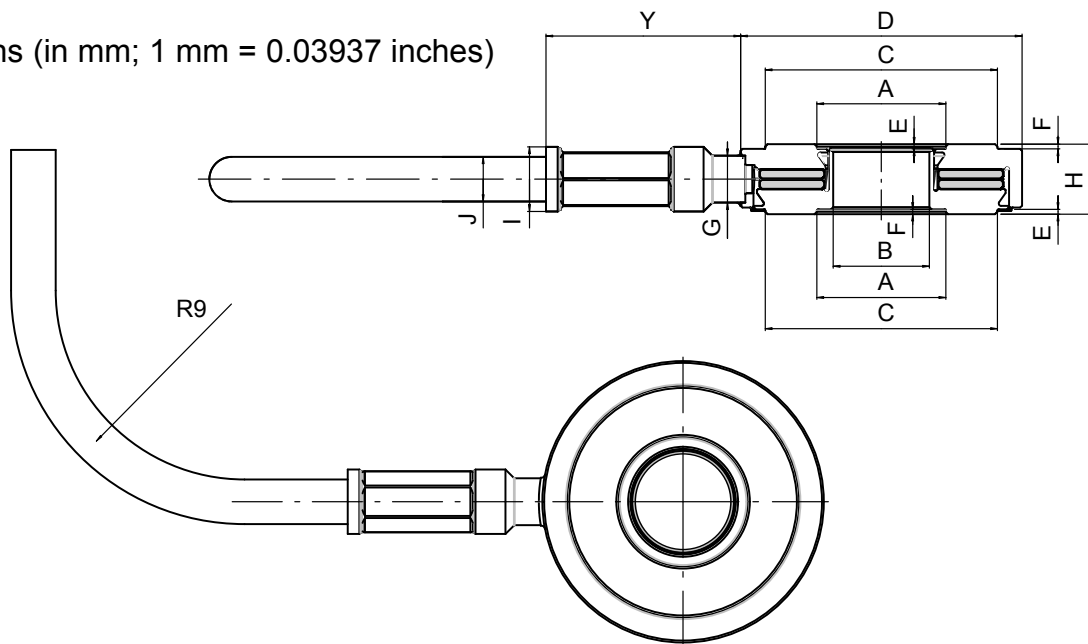
Piezoelectric force washer

Special features

- Symmetrical structure for improved linearity
- Nominal (rated) forces: 7 kN, 26 kN and 62 kN
- Rustless materials
- Integrated charge cable



Dimensions (in mm; 1 mm = 0.03937 inches)



Type	A	B	C	D	E	F	G	H	I	J	Y
CLP/7kN	5.5	4.1 ^{H7}	9.9	12 ^{-0.03}	0.2	0.2	2	3 ^{-0.05}	-2.7	1.9	-8.3
CLP/26kN	9.8	8.1 ^{H7}	17.9	20 ^{-0.05}	0.32	0.32	2	3.5 ^{-0.05}	-2.7	1.9	-8.3
CLP/62kN	13.8	12.1 ^{H7}	27.9	30 ^{-0.05}	0.45	0.45	2	4 ^{-0.05}	-2.7	1.9	-8.3

Specifications (data per VDI/VDE/DKD 2638 standards)

Type			CLP/...		
Nominal (rated) force	F_{nom}	kN	7	26	62
Accuracy					
Relative reversibility error	v	%	1		
Relative linearity error	d_{lin}	%	1		
Electrical characteristics					
Sensitivity (typical) ¹⁾	S	pC/N	-4.3		
Insulation resistance	R_{is}	Ω	> 10^{13}		
Connection	Integrated cable, plug 10-32UNF				
Temperature					
Nominal (rated) temperature range	$B_{T, nom}$	°C	-20 ... +120		
Operating temperature range	$B_{T, G}$		-20 ... +120		
Storage temperature range	$B_{T, S}$		-20 ... +120		
Mechanical parameters					
Max. operating force	F_G	%	115		
Limit force	F_L		150		
Breaking force	F_B		200		
Maximum bending moment with ²⁾ with $F_z = 0\%$ with $F_z = 50\%$ with $F_z = 100\%$	$M_{b, perm}$	Nm	0 5 0	0 35 0	0 134 0
Static lateral limit force ³⁾	F_Q	% of F_{nom}	10		
Nominal (rated) displacement	s_{nom}	μm	3	3.5	4.5
Fundamental resonance frequency	f_G	kHz	105	120	140
Relative permissible oscillatory stress	F_{rb}	% of F_{nom}	100		
General information					
Degree of protection per DIN 60529	IP65				
Sensor material	Stainless steel, quartz				
Cable sheath material	FPM (fluorinated rubber)				
Potting material	Silicone				
Cable length	m		0.5 or 1		
Connector	10-32UNF				
Ground	m	g	6.5	22	30

1) Must be calibrated under mounting conditions

2) F_z is the force in the measurement direction

3) Related to a point of contact on the force application surface

Scope of delivery

Order number	
1-CLP/7kN	Piezoelectric force washer CLP/7kN with test certificate; cable length 1m
1-CLP/26kN	Piezoelectric force washer CLP/26N with test certificate; cable length 1m
1-CLP/62kN	Piezoelectric force washer CLP/62kN with test certificate; cable length 1m
1-CLP/7kN-0.5M	Piezoelectric force washer CLP/7kN with test certificate; cable length 0.5m
1-CLP/26kN-0.5M	Piezoelectric force washer CLP/26N with test certificate; cable length 0.5m
1-CLP/62kN-0.5M	Piezoelectric force washer CLP/62kN with test certificate; cable length 0.5m

Accessories:

Order number	
1-KAB143-2	Transducer connection cable (material: PFA), 2m long, 10-32 UNF connector plug at both ends
1-KAB143-3	Transducer connection cable (material: PFA), 3m long, 10-32 UNF connector plug at both ends
1-KAB143-7	Transducer connection cable (material: PFA), 7m long, 10-32 UNF connector plug at both ends
1-KAB176-2	Transducer connection cable (material: PFA), 2 m long; 10-32 UNF connector plug on transducer side, BNC on amplifier side (e.g. suitable for digital charge amplifier CMD600)
1-KAB176-3	Transducer connection cable (material: PFA), 3 m long; 10-32 UNF connector plug on transducer side, BNC on amplifier side (e.g. suitable for digital charge amplifier CMD600)
1-CCO	Coupling for piezoelectric cable, both ends for plug 10-32UNF
1-CSB4/1	Summing box for parallel switching of piezoelectric sensors

Subject to modifications.
All product descriptions are for general information only. They
are not to be understood as a guarantee of quality or durability.

Hottinger Baldwin Messtechnik GmbH

Im Tiefen See 45 · 64293 Darmstadt · Germany
Tel. +49 6151 803-0 · Fax: +49 6151 803-9100
Email: info@hbm.com · www.hbm.com

measure and predict with confidence

