

FG 100 Gas leak detector

KEY POINTS

- Easy to use
- Large backlight display
- Indication of gas leaking in ppm or in %VOL or in %LEL

TECHNICAL FEATURES

Display	4 lines, LCD technology. Dim. 50 x 34,9 mm.
Housing	Shock-proof made of ABS, IP54 protection
Keypad	Metal-coated with 5 keys
Conformity	Electromagnetical compatibility (NF EN 61326-1 guideline)
Power feeding	1 alkaline battery 9V 6LR61
Environment	Neutral gas
Working temperature	From 0 to +50 °C
Storage temperature	From -20 to +80 °C
Auto-extinction	Adjustable from 0 to 120 mn
Weight	200 g
Languages	French, English
Probe length	30 cm

SPECIFICATIONS

Measurement unit	Measuring range	Accuracy*	Resolution
ppm	0-10 000 ppm (GPL : 0-1800)	±20% of full scale at 20 °C at 65 %RH ± 5 %RH	1 ppm
% VOL	0-1 % VOL		0.001 % VOL
% LEL	0-20 % LEL		0.01 % LEL

*All accuracies indicated in this document were stated in laboratory conditions and can be guaranteed for measurements carried out in the same conditions, or carried out with required compensation.



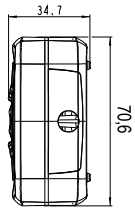
FUNCTIONS

- Detection of gas such as methane (CH₄), LPG (isopropanol and isobutane) and others combustible gas (hydrocarbon)
- Display of the concentration of measured gas in ppm, %VOL and %LEL
- Flexible probe with semiconductor gas sensor
- Digital display

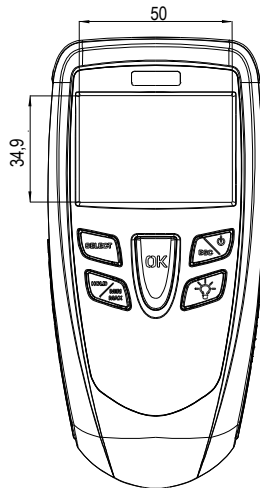


DIMENSIONS (mm)

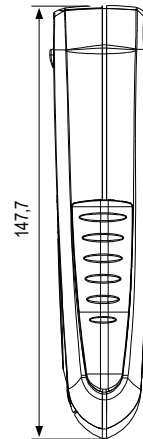
• Top view



• Front view



• Side view



WARRENTY PERIOD

Instruments have 1-year guarantee for any manufacturing defect (return to our After-Sales Service required for appraisal).

SUPPLIED WITH

- FG 100 instrument
- Transport case
- Adjusting certificate and user manual



ACCESSORIES

CE 100

Protective cover with magnet and holding system

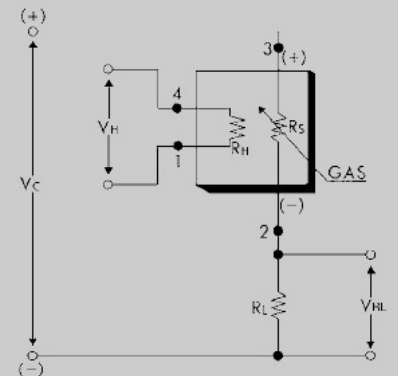


OPERATING PRINCIPLE

The sensitive element which enables the measurement of methane can be compared to a resistor. The value of this resistor changes according to the methane concentration.

To get better the measurement quality, the sensitive element must be permanently kept at a fixed temperature.

Electrochemical sensor (gas)



GLOSSARY

%LEL : is the limiting concentrations of gas (in 'air) that is needed for the gas to ignite and explode.

%VOL : is the limiting concentrations of gas (in 'air) that is needed for the gas to ignite and explode expressed in percentage of volume in air.